



Digi Connect[®] ME and Wi-ME

Digi Connect[®] ME

Digi Connect[®] Wi-ME with NS7520 microprocessor

Digi Connect[®] ME 9210

Digi Connect[®] Wi-ME 9210 with NS9210 microprocessor

Hardware Reference Manual

Revision history—90000897

Revision	Date	Description
J	September 2010	Updated the recommended PCB layout image. Corrected the VIL Max value within the Inputs table of the DC Characteristics section in Appendix A and improved the quality of images in the appendices. Added Digi Connect ME 9210 Declaration of Conformity information to Appendix B.
K	August 2011	Added signal description information and completed image updates to Digi Connect ME and Wi-ME PCB layout, Power and Device Interface Connector and Embedded Module Connector Pin Orientation. Updated tables for the Power and Device Interface Connector Pin Assignment, Development Board LED Description, and Module Pinout key. Added Connect Wi-ME and Wi-ME 9210 hard reset information.
L	April 2014	Updated Module Specifications and drawings and added links to additional drawings on Digi Connect ME and Wi-ME product pages.
M	June 2017	Updated branding and made editorial enhancements. Modified regulatory and certification information as required by RED (Radio Equipment Directive).
N	October 2022	Added UKCA Regulatory statement .

Trademarks and copyright

Digi, Digi International, and the Digi logo are trademarks or registered trademarks in the United States and other countries worldwide. All other trademarks mentioned in this document are the property of their respective owners.

© 2022 Digi International Inc. All rights reserved.

Disclaimers

Information in this document is subject to change without notice and does not represent a commitment on the part of Digi International. Digi provides this document “as is,” without warranty of any kind, expressed or implied, including, but not limited to, the implied warranties of fitness or merchantability for a particular purpose. Digi may make improvements and/or changes in this manual or in the product(s) and/or the program(s) described in this manual at any time.

Warranty

To view product warranty information, go to the following website:

www.digi.com/howtobuy/terms

Send comments

Documentation feedback: To provide feedback on this document, send your comments to techcomm@digi.com.

Customer support

Digi Technical Support: Digi offers multiple technical support plans and service packages to help our customers get the most out of their Digi product. For information on Technical Support plans and pricing, contact us at +1 952.912.3444 or visit us at www.digi.com/support.

Contents

About this document

Scope of the reference manual	7
Related documentation	7

About the Digi Connect ME family of embedded modules

Digi Connect ME and Wi-ME embedded modules	9
Types of modules	9
Connectors: power and device interface	11
Difference in pin assignments/availability	11
Power and device interface connector	11
Connectors: module JTAG interface	13
JTAG interface connectors	13
Connectors: Ethernet interface	15
Ethernet interface pin orientation	15
JTAG jumper	15
Hard reset	16
Connectors: antenna	16
Module LEDs	16

About the development board

Basic description	19
Board layout and connector locations	20
Placement of module	22
Port descriptions	22
Primary serial port, P1	22
Secondary serial port, P2	23
RS232-enable pin header, P5	23
GPIO port, P7	23
Connectors and blocks	24
Embedded module connector, P10	24
Module JTAG interface connector, P11	25
JTAG debugger connector, P12	26
Logic analyzer header, P3	27
Switches and push buttons	28
GPIO switch bank 1, SW3	28
User push button 1, SW1	29
User push button 2, SW2	29
Reset, SW4	29

Power on/off switch, SW5	29
Development board LEDs	29
Power jack P15	31
Power jack polarity, schematic	31
Test points	31

Programming considerations

Module pinout	33
Module JTAG interface pinout	36
LEDs	36
Hard reset	37
Memory	37
Flash	37
SDRAM	37

Module specifications

Network interface	39
Serial interface	39
Data rates (bps)	40
Flow control options	40
DC characteristics	40
Power management (Digi Connect ME 9210 only)	42
Thermal specifications	42
Additional design recommendations	43
Mechanical specifications	44
Bar code	44
Dimensions	45
Digi Connect ME module	48
Digi Connect Wi-ME 9210 module	50
Digi Connect ME 9210 Module - without JTAG interface	52
Digi Connect ME 9210 module - with JTAG interface	54
Recommended PCB layout	55
Digi Connect ME PCB top dimensions	56
Digi Connect ME: PCB top dimensions with JTAG interface	57
Digi Connect Wi-ME 9210	58
Digi Connect ME 9210 - PCB top dimensions without JTAG interface	59
Digi Connect ME 9210 - PCB top dimensions with JTAG interface	60
Antenna information	61
Antenna strength	61
Antenna specifications	61
RF exposure statement	64
Safety statements	64

Regulatory information

FCC Part 15 Class B	65
Labeling requirements (FCC 15.19)	65
Modifications (FCC 15.21)	65
Industry Canada	66
Europe	66
OEM labeling requirements	66

UKCA labeling requirements	67
Declaration of Conformity (DoC)	67
Maximum power and frequency specifications	67
Antenna configurations	68

Sample application: PoE Power Supply

2/8 Digi Connect ME	71
4/8 Digi Connect ME modules and Digi Connect ME 9210 modules	72

Sample application TTL signals to EIA-232

About this document

Scope of the reference manual

The purpose of this document is to enable developers to integrate the Digi Connect ME, Digi Connect ME 9210, or Digi Connect Wi-ME embedded modules with other devices, enabling these devices to make use of the module's rich networking features.

Unless mentioned specifically by name, the products will be referred to as the *embedded modules* or *modules*. Individual naming is used to differentiate product specific features.

Unless noted otherwise, all Digi Connect ME related technical information provided in this document also applies to the Digi Connect ME 9210 module.

Related documentation

See the *NS7520 Hardware Reference* for information on the NS7520 microprocessor.

See the *NS9210 Hardware Reference* for information on the NS9210 microprocessor.

Digi part number 90001247, *Hardware Reference for Digi Connect Wi-ME® 9210 and Digi Connect ME® 9210*, focuses solely on the Digi Connect ME and Wi-ME products that have the NS9210 microprocessor.

About the Digi Connect ME family of embedded modules

This chapter provides information about the modules hardware and contains the following topics:
An overview of the Digi Connect ME family of embedded modules.

Digi Connect ME and Wi-ME embedded modules	9
Types of modules	9
Connectors: power and device interface	11
Connectors: module JTAG interface	13
Connectors: Ethernet interface	15
Connectors: antenna	16
Module LEDs	16

Digi Connect ME and Wi-ME embedded modules

Embedded modules provide fully transparent device connectivity over industry-standard Ethernet connections and allow both equipment manufacturers and systems integrators to network-enable products at a fraction of the time and cost required to develop a custom solution. They provide a highly flexible and compact single component solution with a serial port, GPIO, and a robust on-board TCP/IP stack and 10/100 BASE-T Ethernet support or wireless interface. From medical systems to building control and industrial automation, in virtually any application where embedded device connectivity over Ethernet or wireless connectivity is needed, embedded modules are the ideal choice, delivering high-performance functionality.

Built on Digi's leading 32-bit NET+ARM processor technology, the Digi Connect ME family of embedded modules offer serial-to-Ethernet functionality through Digi's Plug-and-Play Firmware firmware, or the freedom and flexibility of professional embedded software development provided by the easy-to-use, cost-effective and complete Digi JumpStart Kits™ for NET+OS and Microsoft.NET Micro Framework.

Digi Connect ME and Digi Connect Wi-ME modules use the powerful Digi NS7520 processor with an ARM7TDMI core running at 55 MHz. They provide integrated wired or wireless networking and serial device connectivity in a compact connector-style form factor. The Digi Connect ME 9210 module is the latest, fully form factor and pin compatible, members of the Digi Connect ME family providing 75 MHz ARM9 core performance based on the Digi NS9210 processor. In addition to higher performance with integrated Ethernet connectivity, the Digi Connect ME 9210 offers higher serial data rates, SPI functionality, and the unique option of application-specific interfaces using the programmable FIMs on the NS9210.

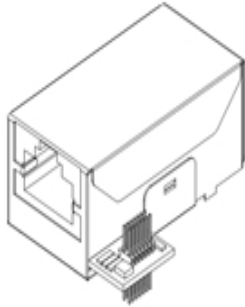
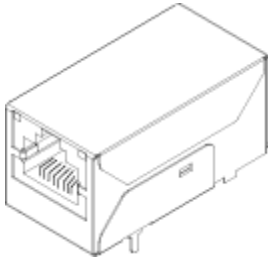
Note Unless mentioned specifically by name, products are referred to as the **embedded modules** or **modules**. Individual naming is used to differentiate product specific features. Similarly, information about the Digi Connect ME applies to the Digi Connect ME 9210.

Types of modules

There are two types of modules. One module utilizes Digi Plug-and-Play Firmware, while the second is customizable with the option to develop a firmware application in.NET MF or NET+OS. If you are developing your firmware application in NET+OS, you will be using a module with a JTAG interface.

Note **JTAG** is a commonly used term that is also referred to as **IEEE 1149.1**, an industry standard test protocol. JTAG is an abbreviation for the European Joint Test Action Group, which invented the first versions of the IEEE 1149.1 interface. The JTAG interface, along with the other development tools, enables you to download, run and debug programs on the module.

The following figures show the two types of modules.

Digi Connect ME Modules		
Model	Description	Figure
Digi Connect ME DC-ME-01T-JT DC-ME4-01T-JT Digi Connect ME 9210 DC-ME-Y401-JT DC-ME-Y402-JT DC-ME-Y402-LX-JT	<ul style="list-style-type: none"> ■ Used for development purposes only ■ JTAG interface 	
Digi Connect ME DC-ME-01T-S DC-ME4-01T-S DC-ME-01T-C DC-ME4-01T-C DC-ME-01T-CLI DC-ME4-01T-CLI DC-ME-01T-MF DC-ME-01T-PC DC-ME-01T-PS Digi Digi Connect ME 9210 DC-ME-Y401-C DC-ME-Y402-C DC-ME-Y402-LX	<ul style="list-style-type: none"> ■ No JTAG interface ■ Ordered independently for use in your implementation 	

Notes:

- DC-ME-01T-CLI (2/8 CLI version - has the CLI enabled by default on the serial port)
- DC-ME4-01T-CLI (4/8 CLI version - has the CLI enabled by default on the serial port)
- DC-ME-01T-PC (2/8 802.3af compliant -C module)
- DC-ME-01T-PS (2/8 802.3af compliant -S module)
- DC-ME-Y402-LX (Digi Connect ME 9210 4/8 Linux - production)
- DC-ME-Y402-LX-JT (Digi Connect ME 9210 4/8 Linux JTAG - dev only)

Digi Connect Wi-ME Modules		
Model	Description	Figure
Digi Connect Wi-ME DC-WME-01T-JT	<ul style="list-style-type: none"> ■ Used for development purposes only ■ JTAG interface 	
Digi Connect Wi-ME DC-WME-01T-S DC-WME-01T-C	<ul style="list-style-type: none"> ■ No JTAG interface ■ Ordered independently for use in your implementation. 	

Notes:

- **S:** No JTAG for use with Digi Plug-and-Play Firmware
- **C:** No JTAG for use with custom NET+OS applications
- **JT:** With JTAG for use with custom firmware development
- **MF:** No JTAG for use with Microsoft.NET Micro Framework

Connectors: power and device interface

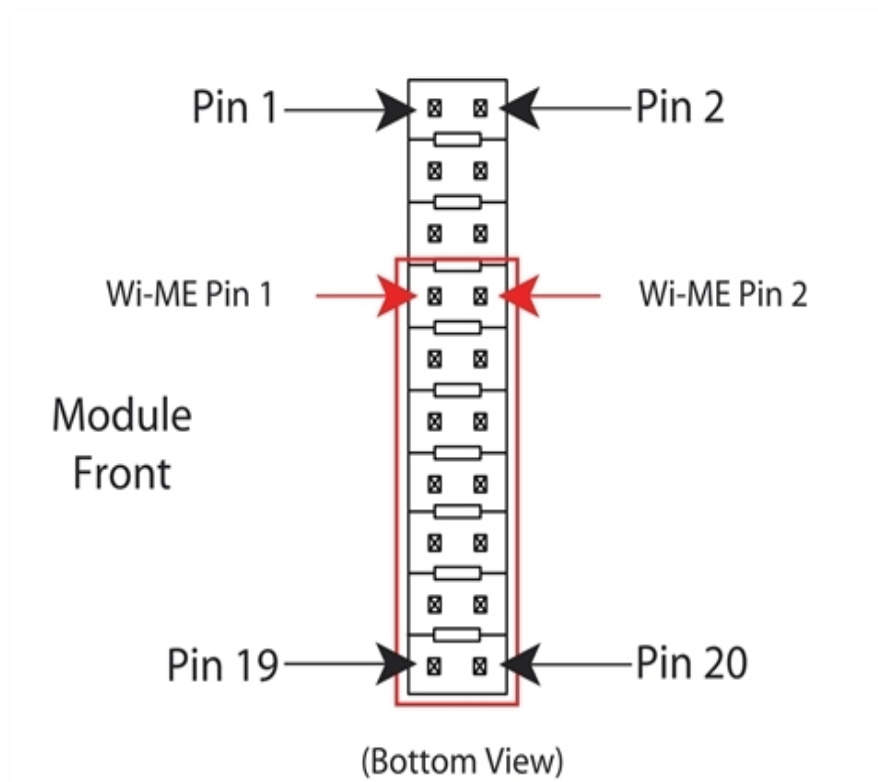
The module has a 20-pin male connector that supports a serial interface with data rates up to 230,400 (Digi Connect ME and Digi Connect Wi-ME)/ 921,600 bps (Digi Connect ME 9210) and full-modem control, and GPIO ports. See the following figure for pin orientation and the table for pin assignments.

Difference in pin assignments/availability

Pin assignments/availability for pins 1 and 2 depend on which module you are using. Pins 1 through 6 are available for Digi Connect ME; these pins are removed for Digi Connect Wi-ME. The pin assignment table shows the appropriate values.

Power and device interface connector

Viewed from bottom of the module:



Power and Device Interface Connector Pin Assignments				
Signal				
ME		Wi-ME		Description
Pin #	Function	Pin #	Function	
1				ME: Power Pass-Thru+ Wi-ME: Position Removed
2	VETH-			ME: Power Pass-Thru- Wi-ME: Position removed
3-6				Position removed
7	RXD	1	RXD	Receive Data (Input)
8	TXD	2	TXD	Transmit Data (Output)
9	RTS	3	RTS	Request to Send (Output)
10	DTR	4	DTR	Data Terminal Ready (Output)

Power and Device Interface Connector Pin Assignments				
Signal				Description
ME		Wi-ME		
Pin #	Function	Pin #	Function	
11	CTS	5	CTS	Clear to Send (Input)
12	DSR	6	DSR	Data Set Ready (Input)
13	DCD	7	DCD	Data Carrier Detect (Input)
14	/RESET	8	/RESET	Reset
15	+3.3V	9	+3.3V	Power
16	GND	10	GND	Ground
17, 18		11, 12		Not accessible with Digi Plug-and-Play Firmware. If using a development kit, see Module pinout for detailed IO configuration information.
19		13		Reserved. Do not connect.
20	/INIT	14	/INIT	Software Reset

Notes:

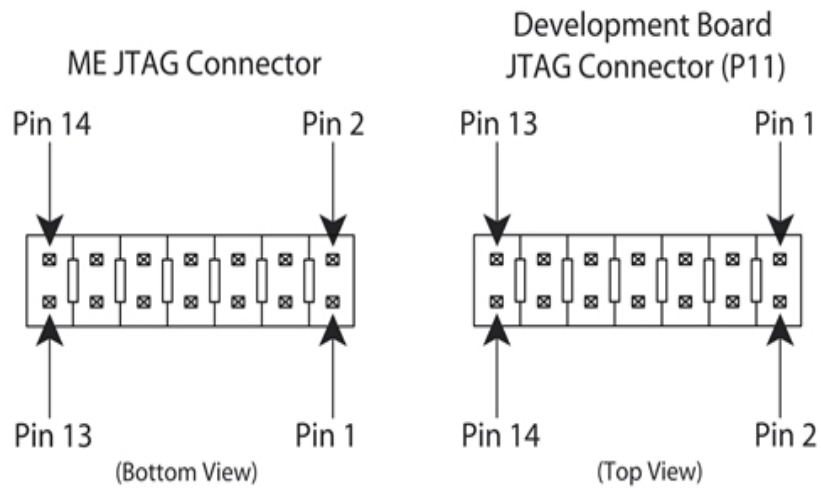
- The development board provides connectors for an optional PoE application kit.
- Any pins not used can be left floating.
- See [Module pinout](#) for detailed IO configuration information.

Connectors: module JTAG interface

The Module's JTAG Interface Connector is a 14-pin female vertical header that is labeled P11 on the development board. The connector mates with the JTAG connector on the embedded module. The Module's JTAG Connector pins are tied to the debugger connector (see [JTAG debugger connector, P12](#)).

JTAG interface connectors

Since the modules' JTAG connectors are mounted on the bottom side of the modules, the pin 1 location is mirrored from that of the Development board's mating JTAG connector (P11). The resulting pin mapping is indicated in the Module JTAG Interface Connector Pin Assignments table below.



Bottom side of module (left) and development board from top (right)

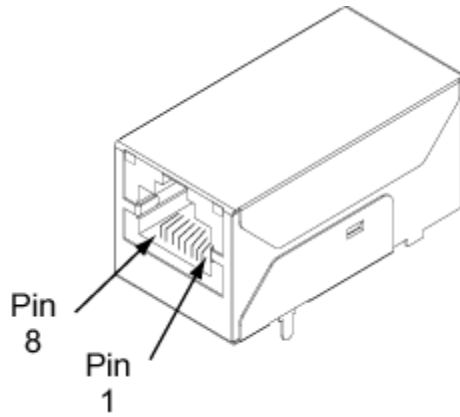
Module JTAG Interface Connector Pin Assignments		
JTAG Signal	ME JTAG pin #	JTAG Connector (P11) pin #
+3.3V	1	2
GND	2	1
TRST#	3	4
GND	4	3
TDI	5	6
GND	6	5
TMS	7	8
GND	8	7
TCK	9	10
RXD	10	9
TDO	11	12
SRST	12	11
+3.3V	13	14
TXD	14	13

Connectors: Ethernet interface

The Ethernet connector is an 8-wire RJ-45 jack that meets the ISO 8877 requirements for 10/100BASE-T. See the following figure and table for pin orientation and pin assignments.

Note Pin orientation and assignments are the same for modules with or without a JTAG connector.

Ethernet interface pin orientation

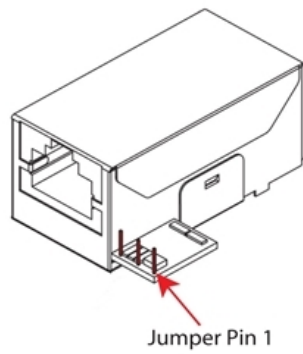


Ethernet Interface Pin Assignments							
Pin 1	Pin 2	Pin 3	Pin 4	Pin 5	Pin 6	Pin 7	Pin 8
TXD+	TXD-	RXD+	EPWR+	EPWR+	RXD-	EPWR-	EPWR-
Transmit Data +	Transmit Data -	Receive Data +	Power from Switch +	Power from Switch +	Receive Data -	Power from Switch -	Power from Switch -

JTAG jumper

The J1 controls the way in which the Digi Connect ME 9210 JTAG device responds to pin 14 being pulled low.

Jumper	Result
None	No reset
1-2	Hard reset
2-3	Soft reset



Hard reset

The embedded modules support a hardware reset on pin 14 of the 20-pin header. Pulling pin 14 low with an open drain driver will force the module into a hard reset state. The module will remain in the reset state as long as pin 14 is held low and will leave this reset state ~250mS after pin 14 goes high. Do not actively drive pin 14 high and do not allow the rise time of the pin 14 to be longer than 100uS. When used with the development board, this pin is wired to reset button SW4, which means it acts as a hard reset button.

Connectors: antenna

The Digi Connect Wi-ME is available with 1 RP-SMA connector. The antenna is connected to the module with a reverse polarity SMA connector (sub-miniature size A). The antenna only fits on the module one way to ensure a proper connection. Another option for both signal reception and design flexibility is to use an antenna extension cord to separate the antenna from the module. This allows the module to fit inside your product but the antenna to be placed outside the device.



CAUTION! This Part 15 radio device operates on a non-interference basis with other devices operating at this frequency when using the antennae listed in the Antenna Specification table. Any changes or modification to the product not expressly approved by Digi International could void the user’s authority to operate the device.

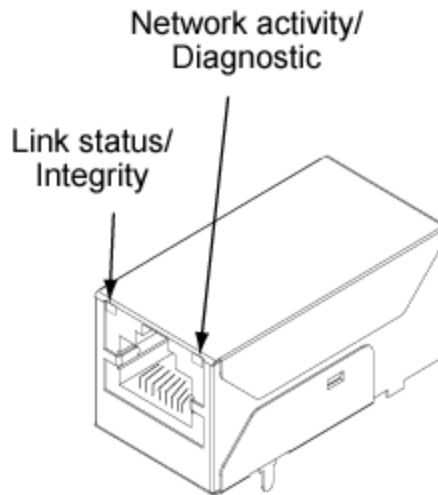
Antenna Specifications			
Type	Desktop	Dipole	30 cm Antenna Extension Cord
Part number	DC-ANT-24DT	DG-ANT-20DP-BG	DG-EXT-300-RR
Gain	1.8 dBi		-.5dB

Module LEDs

The module has two LEDs that are located near the upper corners of the Ethernet port (see the following figure). The following table describes the LEDs.

The LEDs are the same for a module with or without a JTAG connector.

LED locations



LED Behaviors			
LED	Digi Plug and Play Firmware Digi Connect ME	Digi Plug and Play Firmware Digi Connect Wi-ME	Customizable Modules
Top left (yellow)	Network link status: Off - no link has been detected. On - a link has been detected.	Network link status: <ul style="list-style-type: none"> ■ On - unit is associated with an access point. ■ Blinking slowly - unit is in ad hoc mode. ■ Blinking quickly - unit is scanning for a network. 	Same as Digi Plug-and Play Firmware (Network link status).
Top right (green)	Network activity: Blinking -network data is transmitted or received.		This LED is software programmable.

About the development board

The development board is a hardware platform from which you can determine how to integrate the embedded modules into your design. The board consists of the following main features:

- Socket for connecting the embedded modules
- JTAG connection (for use with the development kit only)
- GPIO switches
- Serial and GPIO ports
- Power input

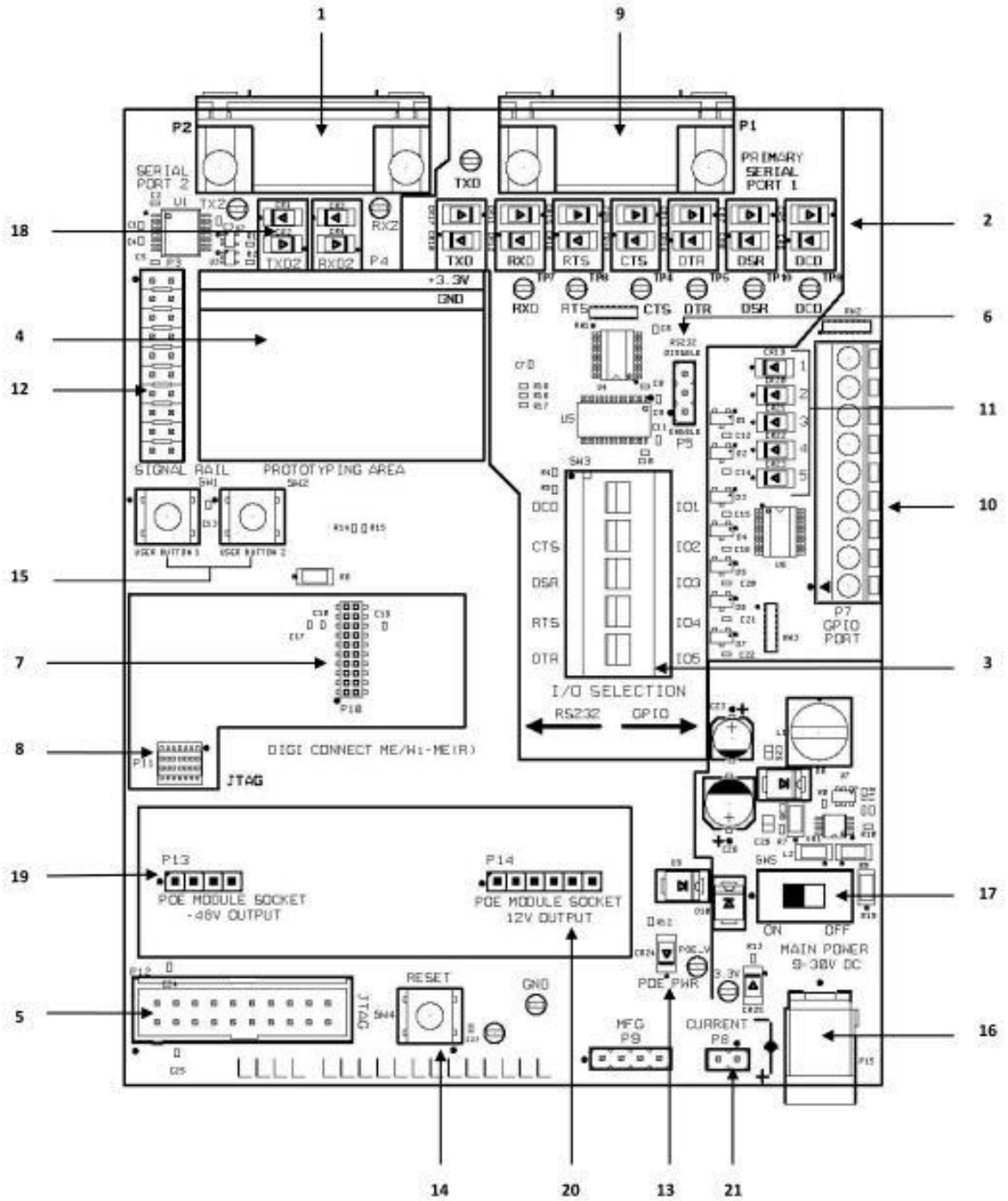
This chapter provides information on development board components and contains the topics listed below. For more detailed information on the development board, see the schematic and mechanical drawings on the CD that accompanies your kit. Once you've installed the software that comes with your kit, you can access the schematic from the Start menu.

Basic description	19
Port descriptions	22
Connectors and blocks	24
Switches and push buttons	28
Development board LEDs	29
Power jack P15	31
Test points	31

Basic description

The development board contains connectors, switches, and LEDs for use while integrating the embedded module into your design. See the following figure for the location of the connectors, switches, and LEDs. Additionally, the board provides test points (not shown on the figure). For more information about test points, see [Test points](#).

Board layout and connector locations



Connectors, Switches and LEDs Board Description Markers 1-5				
1	2	3	4	5
Secondary Serial Port, P2	Primary Port LEDs, CR5 -CR18	GPIO Switch Bank, SW3	Prototyping Area, P4	JTAG Header, P12

Connectors, Switches and LEDs Board Description (continued) Markers 6-10				
6	7	8	9	10
232 Enable Jumper Block, P5	Embedded Module Connector, P10	JTAG Connector, P11	Primary Serial Port, P1	GPIO Port, P7

Connectors, Switches and LEDs Board Description (continued) Markers 11-15				
11	12	13	14	15
Digital I/O LEDs, CR19 -CR23	Logic Analyzer header, P3	POE Source LED, CR24	Reset Switch, SW4	User Pushbuttons, SW1 & SW2

Connectors, Switches and LEDs Board Description (continued) Markers 16-21					
16	17	18	19	20	21
Power Jack, P15	On/Off switch, SW5	Secondary Port LEDs CR1-CR4	-48V DC output from module P13	12V output from PoE module P14	Current Measurement Option P8

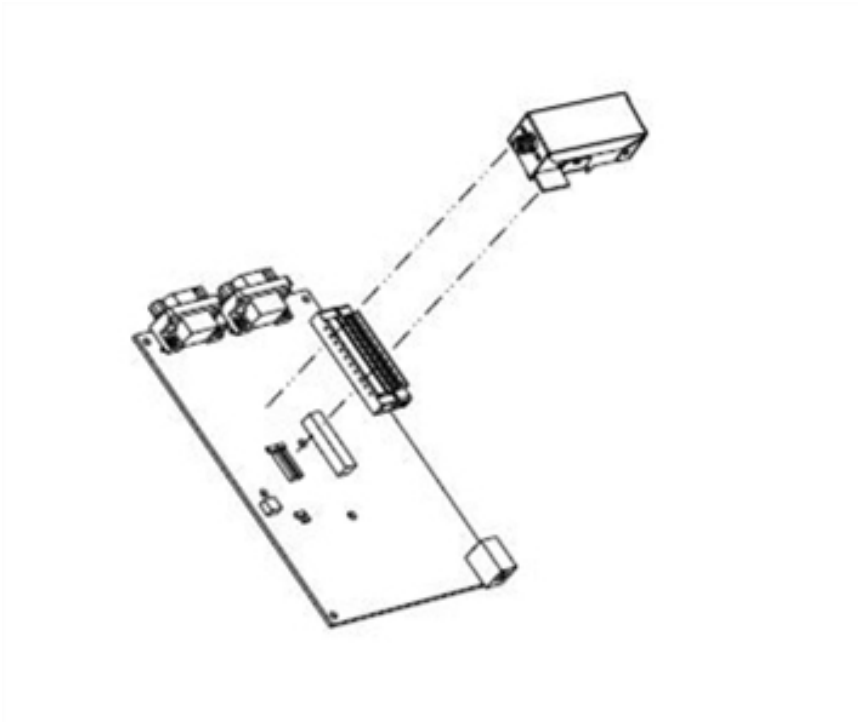
- [Port descriptions](#)
- [Connectors and blocks](#)
- [Switches and push buttons](#)
- [Development board LEDs](#)
- [Power jack P15](#)

See the following figures for placement of either module onto the development board.

Placement of module



CAUTION! When handling the development, wear a grounding wrist strap to avoid ESD damage to the board.



Port descriptions

The development board provides the following ports:

- [Primary serial port, P1](#)
- [Secondary serial port, P2](#)
- [GPIO port, P7](#)

See the figure titled [Board layout and connector locations](#) for the location of the ports. The following sections describe the ports.

Primary serial port, P1

The primary serial port is a DB-9 male connector that is labeled as P1 on the development board. See the following figure for pin orientation; see the following table for pin assignments.

Primary serial port pin orientation

Primary Serial Port Pin Assignments								
Pin 1	Pin 2	Pin 3	Pin 4	Pin 5	Pin 6	Pin 7	Pin 8	Pin 9
DCD	RXD	TXD	DTR	GND	DSR	RTS	CTS	—
Data Carrier Detect	Receive Data	Transmit Data	Data Terminal Ready	Signal/Chassis Ground	Data Set Ready	Request To Send	Clear To Send	—

Secondary serial port, P2

The Secondary Serial Port is a DB-9 male connector that is labeled as P2 on the development board. The port is used only with the Digi Connect ME modules with JTAG interfaces for debugging purposes. See the following figure for pin orientation; see the following table for pin assignments.

Secondary serial port pin orientation

Secondary Serial Port Pin Assignments								
Pin 1	Pin 2	Pin 3	Pin 4	Pin 5	Pin 6	Pin 7	Pin 8	Pin 9
—	RXD	TXD	—	GND	—	—	—	—
—	Receive Data	Transmit Data	—	Signal/Chassis Ground	—	—	—	—

RS232-enable pin header, P5

P5 is used to enable or disable serial port RS232s transceiver. Shorting P5 pins 1 and 2 will enable the RS232 transceiver. Shorting P5 pins 2 and 3 will disable the RS232 transceiver.

GPIO port, P7

The GPIO port is a 9-pin male right-angle connector that is labeled as P7 on the development board. See the following figure for pin orientation; see the following tables for pin assignments. For input and output threshold specifications, see [DC characteristics](#). Note that each signal has a 220 ohm series resistor between the P7 pin and the module (except GND).

Note The development board is shipped with a 9-pin screw-flange plug attached to the GPIO port.

GPIO port pin orientation

GPIO Port Pin Assignments									
	Pin 1	Pin 2	Pin 3	Pin 4	Pin 5	Pin 6	Pin 7	Pin 8	Pin 9
Signal	GPIO-1	GND	GPIO-2	GND	GPIO-3	TXD_TTL	GPIO-4	RXD_TTL	GPIO-5

Connectors and blocks

The development board provides the following connectors and blocks:

- [Embedded module connector, P10](#)
- The Digi Connect Wi-ME module does not provide pins 1-6.
- [JTAG debugger connector, P12](#)
- -48V DC input to PoE module (Digi Connect ME must be connected to a Powering Device for this feature.), P13
- 12V DC output from PoE module into Dev Board Power Supply, P14
- [Logic analyzer header, P3](#)

See the figure titled [Board layout and connector locations](#) for the location of the connectors and blocks. The following sections describe the connectors and blocks.

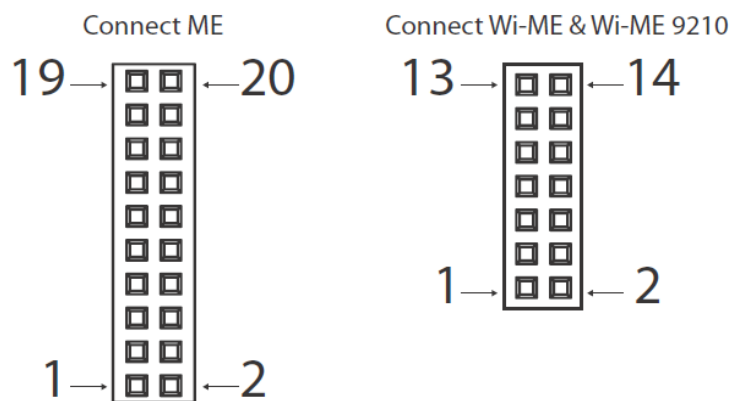
Embedded module connector, P10

The Digi Connect ME embedded module connector is a 20-pin female vertical header that is labeled P10 on the development board. See the following figure for pin orientation; see the following table for pin assignments.

Note The figure shows the connector using the same orientation as shown in the figure titled [Board layout and connector locations](#).

Embedded module connector pin orientation

Note that the Digi Connect Wi-ME module does not provide pins 1-6. The GPIO pin numbers mentioned below are used to reference **the silkscreen label on the development board**, not the actual GPIO number of the Digi Connect Module. See [Module pinout](#) for detailed IO configuration information.

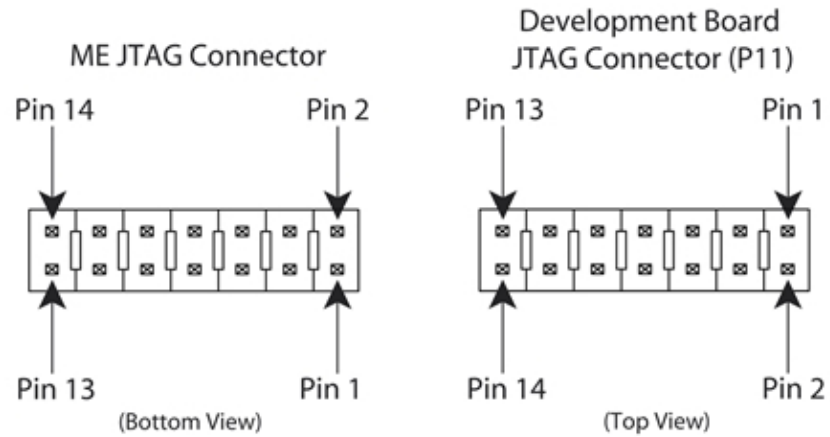


Power and Device Interface Connector Pin Assignments				
Signal				Description
ME		Wi-ME		
Pin #	Function	Pin #	Function	
1				ME: Power Pass-Thru+ Wi-ME: Position Removed
2	VETH-			ME: Power Pass-Thru- Wi-ME: Position removed
3-6				Position removed
7	RXD	1	RXD	Receive Data (Input)
8	TXD	2	TXD	Transmit Data (Output)
9	RTS	3	RTS	Request to Send (Output)
10	DTR	4	DTR	Data Terminal Ready (Output)
11	CTS	5	CTS	Clear to Send (Input)
12	DSR	6	DSR	Data Set Ready (Input)
13	DCD	7	DCD	Data Carrier Detect (Input)
14	/RESET	8	/RESET	Reset
15	+3.3V	9	+3.3V	Power
16	GND	10	GND	Ground
17, 18		11, 12		Not accessible with Digi Plug-and-Play Firmware. If using a development kit, see Module pinout for detailed IO configuration information.
19		13		Reserved. Do not connect.
20	/INIT	14	/INIT	Software Reset

Module JTAG interface connector, P11

The Module's JTAG Interface Connector is a 14-pin female vertical header that is labeled P11 on the development board. The connector mates with the JTAG connector on the embedded module. The Module's JTAG Connector pins are tied to the debugger connector (see [JTAG debugger connector, P12](#)).

Since the modules' JTAG connectors are mounted on the bottom side of the modules, the pin 1 location is mirrored from that of the Development board's mating JTAG connector (P11). The resulting pin mapping is indicated in the Module JTAG Interface Connector Pin Assignments table below.



Bottom side of module (left) and development board from top (right)

Module JTAG Interface Connector Pin Assignments		
JTAG Signal	ME JTAG pin #	JTAG Connector (P11) pin #
+3.3V	1	2
GND	2	1
TRST#	3	4
GND	4	3
TDI	5	6
GND	6	5
TMS	7	8
GND	8	7
TCK	9	10
RXD	10	9
TDO	11	12
SRST	12	11
+3.3V	13	14
TXD	14	13

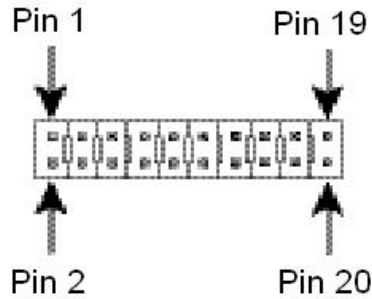
JTAG debugger connector, P12

The JTAG debugger connector is a 20-pin male vertical header that is labeled P12 on the development board. The connector mates with a JTAG debugger plug (for example, a Digi JTAG Link). The connector

is used with the development kit only. See the following figure for pin orientation. See the following table for pin assignments.

The figure shows the connector using the same orientation as shown in the figure titled [Board layout and connector locations](#).

JTAG debugger connector pin orientation



JTAG Debugger Connector Pin Assignments									
Pin 1	Pin 2	Pin 3	Pin 4	Pin 5	Pin 6	Pin 7	Pin 8	Pin 9	Pin 10
VCC+	VCC+	/TRST	GND	TDI	GND	TMS	GND	TCK	GND
Pin 11	Pin 12	Pin 13	Pin 14	Pin 15	Pin 16	Pin 17	Pin 18	Pin 19	Pin 20
RTCK	GNO	TDO	GND	/SRST	GNO	N/A	GND	N/A	GND

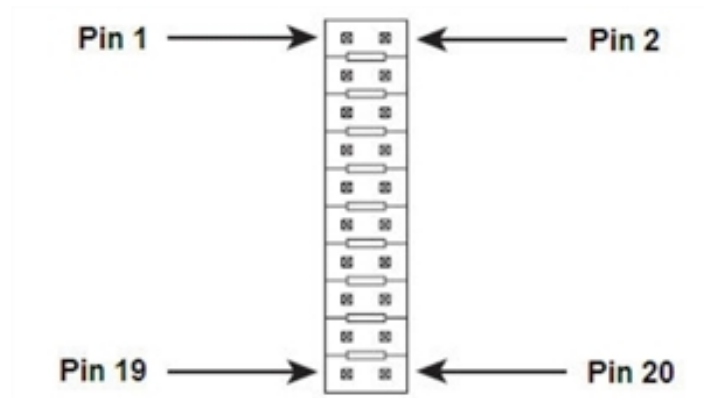
Note Pin assignments are shown for the connector on the development board.

Logic analyzer header, P3

The Logic Analyzer Header is a 20-pin male vertical header that is labeled P3 on the development board. The header is for connecting a digital signal analyzer (for example, a logic analyzer) to the development board. See the following figure for pin orientation; see the following table for pin assignments.

The figure shows the connector using the same orientation as shown in the figure titled [Board layout and connector locations](#).

Logic analyzer header pin orientation



Logic Analyzer Header Pin Assignments									
Pin 1	Pin 2	Pin 3	Pin 4	Pin 5	Pin 6	Pin 7	Pin 8	Pin 9	Pin 10
V_ Ether+	V_ Ether-	Not connected	Not connected	Not connected	Not connected	RXD	TXD	GPIO-4	GPIO-5
Pin 11	Pin 12	Pin 13	Pin 14	Pin 15	Pin 16	Pin 17	Pin 18	Pin 19	Pin 20
GPIO-2	GPIO-3	GPIO-1	/RST	3.3v	GND	See Power and device interface connector for details.		Reserved	/INIT

Switches and push buttons

The development board provides the following switches:

- [User push button 1, SW1](#)
- [User push button 2, SW2](#)
- [GPIO switch bank 1, SW3](#)
- [Reset, SW4](#)
- [Power on/off switch, SW5](#)

See the figure titled [Board layout and connector locations](#) for the location of the switches. The following sections describe the switches.

GPIO switch bank 1, SW3

GPIO Switch Bank 1, labeled SW3, is a set of five slide switches that allows the embedded module to use either serial signals or GPIO signals to communicate with a device. With the switch to the left position, the module’s signal is connected to the Serial Port1 RS232 transceiver. In the right position, the module signal is connected to the appropriate pin of the GPIO Port P7.

GPIO switch bank 1 settings

Switch Number	Left Position	Right Position
1	DCD	GPIO-1
2	CTS	GPIO-2
3	DSR	GPIO-3
4	RTS	GPIO-4
5	DTR	GPIO-5

User push button 1, SW1

When switch number 1 is set to GPIO-1, pushing User Push Button 1, SW1, will drive GPIO-1 (module pin 13) low.

User push button 2, SW2

Pushing User Push Button 2, SW2, will drive module pin 18 low.

Reset, SW4

The Reset switch is a push button switch labeled SW4 on the development board. Pressing the switch holds the embedded module in reset. When the push button is released, the module reboots.

Power on/off switch, SW5

The left position means that power is on. The right position means that power is off.

Development board LEDs

The development board contains 25 LEDs that are labeled CR1 through CR25. The following table lists and describes the LEDs.

Development Board LED Descriptions			
Board Label	Description	State	Indication
CR1	TXD, Secondary Serial Port Yellow	On	Logic 1 on TTL, mark, -V on line side
CR2	TXD, Secondary Serial Port Yellow	On	Logic 1 on TTL, mark, -V on line side
CR3	RXD, Secondary Serial Port Yellow	On	Logic 1 on TTL, mark, -V on line side
CR4	RXD, Secondary Serial Port Green	On	Logic 0 on TTL, space, +V on line side

Development Board LED Descriptions			
Board Label	Description	State	Indication
CR5	DCD, Primary Serial Port Yellow	On	Logic 1 on TTL, mark, -V on line side
CR6	DCD, Primary Serial Port Green	On	Logic 0 on TTL, space, +V on line side
CR7	DSR, Primary Serial Port Yellow	On	Logic 1 on TTL, mark, -V on line side
CR8	DSR, Primary Serial Port Green	On	Logic 0 on TTL, space, +V on line side
CR9	CTS, Primary Serial Port Yellow	On	Logic 1 on TTL, mark, -V on line side
CR10	CTS, Primary Serial Port Green	On	Logic 0 on TTL, space, +V on line side
CR11	RXD, Primary Serial Port	On	Logic 1 on TTL, mark, -V on line side
CR12	RXD, Primary Serial Port	On	Logic 1 on TTL, mark, -V on line side
CR13	DTR, Primary Serial Port Yellow	On	Logic 1 on TTL, mark, -V on line side
CR14	DTR, Primary Serial Port Green	On	Logic 0 on TTL, space, +V on line side
CR15	RTS, Primary Serial Port Yellow	On	Logic 1 on TTL, mark, -V on line side
CR16	RTS, Primary Serial Port Green	On	Logic 0 on TTL, space, +V on line side
CR17	TXD, Primary Serial Port Yellow	On	Logic 1 on TTL, mark, -V on line side
CR18	TXD, Primary Serial Port Green	On	Logic 0 on TTL, space, +V on line side
CR19	GPIO 1 Green	On	Logic 1
		Off	Logic 0
CR20	GPIO 2Green	On	Logic 1
		Off	Logic 0
CR21	GPIO 3Green	On	Logic 1
		Off	Logic 0
CR22	GPIO 4Green	On	Logic 1
		Off	Logic 0
CR23	GPIO 5Green	On	Logic 1
		Off	Logic 0
CR24	POE Active LED Green	On	+12V present from POE
		Off	No POE present
CR25	3.3V LED Green	On	Power On
		Off	Power Off

Power jack P15

The Power Jack P15 is a barrel connector that accepts 9 to 30 VDC +/- 5%. The following table shows the polarity of the power jack.

Power Jack Polarity	
Contact	Polarity
Center	+9 to +30 VDC
Outer	Ground

The following figure schematically represents the polarity of the power jack.

Power jack polarity, schematic

Test points

The development board provides 13 test points that can be identified by a board label. The test point numbers are in the development board schematic drawings. The following table lists the test point number, board label, and a brief description of each test point.

Test Point Descriptions		
Test Point	Board Label	Description
TP2	TXD	TXD-2, Transmit, Secondary Serial Port
TP3	RXD	RXD-2, Receive, Secondary Serial Port
TP4	CTS	CTS, Primary Serial Port
TP5	DTR	DTR, Primary Serial Port
TP6	TXD	TXD, Primary Serial Port
TP7	RXD	RXD, Primary Serial Port
TP8	RTS	RTS, Primary Serial Port
TP9	DCD	DCD, Primary Serial Port
TP10	DSR	DSR, Primary Serial Port
TP12	Reset	Reset
TP13	POE 12v	POE 12v
TP14	3.3v	3.3v Supply
TP15	GND	Ground

Programming considerations

This chapter provides information programmers may require to make use of some embedded module hardware resources. It provides programming information on the following topics for the Digi Connect ME, the Digi Connect ME 9210, and the Digi Connect Wi-ME:

Module pinout	33
LEDs	36
Hard reset	37
Memory	37

Module pinout

Where to find more information on pin configurations

The NS7520/NS9210 processors support 16 General Purpose I/O (GPIO) lines, some of which are reserved for specific functions and some of which can be customized. For Digi Plug and Play Firmware users, see the [Digi Connect Family Users Guide](#) for details on what Pin configurations are available to you.

Module pinout

The following table provides signal header pinout information for the Digi Connect ME, Digi Connect ME 9210, and Digi Connect Wi-ME modules. Please refer to the color key below.

Table Notes:

- The CAN Bus interface is available on the 8/16 Digi Connect ME 9210, Wi-ME 9210 variants.
- When using the 8/16 ME 9210/ Wi-ME 9210 CAN Bus, the DTR (9210 signal GPIO 6) line must be tri-stated. When the DTR signal (9210 GPO/I 6) is used, 9210 GPO/I 15 must be tri-stated. These two 9210 signals are wired together on the 9210 modules.
- The Digi Connect Wi-ME 9210 module does not provide pins 1-6.
When using I2C, make sure to put a 10k pull up on the SDA and SCL lines.

Applies to Digi Connect ME/Wi-ME modules.
Applies to Digi Connect ME 9210/Wi-ME 9210 modules.
Applies to Digi Connect ME/Wi-ME and ME 9210/Wi-ME 9210 modules.

PIN		UART [All]	GPIO [ME/Wi-ME]	GPIO [ME 9210]	Ext IRQ [ME/Wi-ME]	Ext IRQ [ME 9210/Wi-ME 9210]	I2C [ME 9210/Wi-ME 9210]	SPI [ME 9210/Wi-ME 9210]	FIM [ME 9210/Wi-ME 9210]	CAN BUS [ME 9210/Wi-ME 9210]	Timer [ME 9210/Wi-ME 9210]	Other [All]
Wi-ME/Wi-ME 9210	ME/ME 9210											
	1											VETH+
	2											VETH-
	3-6	Positions Removed										
1	7	RXD	A3	GPIO[3]				DATA IN	PIC_0_GEN_IO[3]			
2	8	TXD	A7	GPIO[7]				DATA OUT			Timer Out 7 Timer In 8	
3	9	RTS	A5	GPIO[5]		3		CLK			Timer Out 6	
4	10	DTR	A6	GPIO[6]						PIC_CAN_TXD	Timer In 7	
5	11	CTS	A1	GPIO[1]		0			PIC_0_GEN_IO[1]			
6	12	DSR	A2	GPIO[2]		1			PIC_0_GEN_IO[2]	PIC_CAN_RXD		
7	13	DCD	A0	GPIO[0]				EN	PIC_0_GEN_IO[0]			
8	14											/RST
9	15											3.3V

PIN		UART [All]	GPIO [ME/Wi-ME]	GPIO [ME 9210]	Ext IRQ [ME/Wi-ME]	Ext IRQ [ME 9210/Wi-ME 9210]	I2C [ME 9210/Wi-ME 9210]	SPI [ME 9210/Wi-ME 9210]	FIM [ME 9210/Wi-ME 9210]	CAN BUS [ME 9210/Wi-ME 9210]	Timer [ME 9210/Wi-ME 9210]	Other [All]
Wi-ME/Wi-ME 9210	ME/ME 9210											
10	16											GND
11	17		C4	GPIO [12]			SDA	CLK				RESET_DONE
12	18		C1	GPIO[9]	1	0	SCL					
13	19	Reserved										
14	20		C5	GPIO [13]				CLK			Timer Out 9	/INIT

Module JTAG interface pinout

The following table provides signal header pinout information for the Digi Connect ME JTAG pin and the Development Board JTAG Connector (P11) pin.

Module JTAG Interface Connector Pin Assignments		
JTAG Signal	ME JTAG pin #	JTAG Connector (P11) pin #
+3.3V	1	2
GND	2	1
TRST#	3	4
GND	4	3
TDI	5	6
GND	6	5
TMS	7	8
GND	8	7
TCK	9	10
RXD	10	9
TDO	11	12
SRST	12	11
+3.3V	13	14
TXD	14	13

LEDs

The embedded modules have two types of LEDs:

- An LED connected directly to GPIO pins on the processor and controlled directly in software
- An LED connected to other hardware components (normally the Ethernet hardware) and not directly programmable by the operating system

The development kit, by default, correctly configures the GPIO connected to the LED as an output and then uses this LED to represent Ethernet activity.

LED	Description
Yellow	This is wired directly to Ethernet hardware and provides an indication of link.
Green	This software-programmable LED is wired to processor GPIO register bit C6/GPIO[14] and is wired to be lit when low. The default behavior is to blink on Ethernet activity.

Hard reset

The embedded modules support a hardware reset on pin 14 of the 20-pin header. Pulling pin 14 low with an open drain driver will force the module into a hard reset state. The module will remain in the reset state as long as pin 14 is held low and will leave this reset state ~250mS after pin 14 goes high. Do not actively drive pin 14 high and do not allow the rise time of the pin 14 to be longer than 100uS. When used with the development board, this pin is wired to reset button SW4, which means it acts as a hard reset button.

Memory

The Digi Connect ME has the following types of memory.

Flash

The Digi Connect ME has 2 or 4 MB of flash memory. The Digi Connect Wi-ME has 4 MB or 8 MB of flash memory.

On the Digi Connect ME/ARM7 family, the flash memory is controlled by chip select 0, located at 0x02000000.

On the Digi Connect ME 9210/ARM9 family, the flash memory is controlled by chip select 2 (default=st_cs1) and is located at 0x50000000.

SDRAM

The Digi Connect ME and the Digi Connect Wi-ME's SDRAM is controlled by chip select 1 and is located at 0x00000000.

The Digi Connect ME 9210's SDRAM is controlled by chip select 1 (default = dy_cs0) and is mapped to 0x00000000.

The embedded modules have 8 MB of SDRAM memory.

The following table illustrates typical power consumptions using these power management mechanisms. These measurements were taken with all Digi NS9210 processor's I/O clocks disabled except UART A, UART C, Ethernet MAC, I/O Hub and Memory Clock0 with the ethernet connected to a 100Mb network, using a standard module plugged into a Digi JumpStart Kit development board, with nominal voltage applied:

Mode	Power Consumption ¹
Normal Operational Mode ²	1.14W (346mA)
Full Clock Scaling Mode ³	.613W (186mA)
Sleep Mode ⁴	.113W (34mA)

Note 1: This measurement was taken from the R6 current sense resistor using a 0.025 ohm shunt on the JumpStart Kit development board.

Note 2: This is the default power consumption mode when entering applicationStart(), as measured with the napsave sample application. The value of the NS9210 Clock Configuration register (A090017C) is 0001200B hexadecimal.

Note 3: This measurement was produced by selecting the “Clock Scale” menu option in the napsave sample application.

Note 4: This measurement was produced by selecting the “Deep Sleep/Wakeup with an External IRA” menu option in the napsave sample application.

Module specifications

Network interface

Digi Connect ME/ME 9210	Digi Connect Wi-ME
<ul style="list-style-type: none">■ Standard: IEEE 802.3■ Physical Layer: 10/100Base-T■ Data Rate: 10/100Mbps (auto-sensing)■ Mode: Half-duplex and full-duplex support (auto-sensing)■ Connector: RJ-45	<ul style="list-style-type: none">■ Standard: IEEE 802.11b/Standard: IEEE 802.11b/g/n■ Frequency: 2.4 GHz■ Data Rate: Up to 11 Mbps with automatic fallback■ Modulation: CCK (11/5 Mbps), DQPSK (2 Mbps), DBPSK (1 Mbps)■ Transmit Power: 14 dBm typical■ Receive sensitivity:<ul style="list-style-type: none">• 1Mbps: -92 dBm• 2Mbps: -89 dBm• 5.5Mbps: -87 dBm• 11Mbps: -82 dBm■ Antenna Connector: 1 x RP-SMA



CAUTION! The Digi Connect ME and Digi Connect Wi-ME embedded modules were designed for use in no clean flux wave soldering processes. The product is not designed to support draining after a water-wash process, which can lead to water residue inside the enclosure resulting from direct entry or condensation after the wash process.

Serial interface

One TTL serial interface (CMOS 3.3v) with full modem control signals (DTR, DSR, DCD, RTS, CTS). The Digi Connect ME 9210 also supports SPI and FIM-based application specific interfaces.

Data rates (bps)

50, 75, 110, 134, 150, 200, 300, 600, 1200, 1800, 2400, 4800, 9600, 14400, 19200, 28800, 38400, 57600, 115200, 230400, 460800 (Digi Connect ME 9210 only), 921600 (Digi Connect ME 9210 only)

Flow control options

RTS/CTS, XON/XOFF, None

DC characteristics

The following tables provide DC characteristics for operating conditions, inputs, and outputs.

Operating conditions						
Symbol	Description	Min	Typ	Max	Unit	
V _{CC}	Supply Voltage	3.14	3.3	3.45	V	
n/a	Power Supply Ripple	40			mVpp	
I _{CC}	Supply Current	—	—	Digi Connect ME	270	mA
				Digi Connect ME 9210	450	
I _{IL}	Input Current as “0” (57K pull-up resistor)	—	—	Digi Connect Wi-ME	650	μA
					57	
				9210 (16K pull up resistor)	-10	
I _{IH}	Input Current “1” (57K pull-up resistor)	-10	—		10	μA
				9210 (16K pull up resistor)	-10	10
I _{OZ}	HighZ Leakage Current	-10	—	10	μA	
I _{OD}	Output Drive Strength	—	—	2	mA	
C _{I0}	Pin Capacitance (V _O =0)	—	—	4	pF	



CAUTION! The module’s +3.3V (pin 15 for Digi Connect ME 9210 Family and pin 9 for Digi Connect Wi-ME 9210 Family) has the equivalent of a 500μF capacitor connected between it and GND. At power on, this equivalent capacitance will cause an input inrush current that is dependent on the voltage rise time of the user supplied +3.3V power source. This user supplied +3.3V power source must be able to supply the needed inrush current



during the supply's voltage ramp-up in a way that insures the voltage ramp-up is continuous and monotonic. The input voltage rise time of the +3.3v power supply must be between 700 uS and 140ms. A rise time outside of these limits may cause the device to malfunction and give a 3-1-3 diagnostic error.

Inputs					
Symbol	Description	Min	Typ	Max	Unit
V _{IH}	Input High Voltage	2	—	V _{CC} +0.3	V
V _{IL}	Input Low Voltage	V _{SS} -0.3	—	.8	V

Outputs					
Symbol	Description	Min	Typ	Max	Unit
V _{OH}	Output High Voltage	2.4	—	3.45	V
V _{OL}	Output Low Voltage	0	—	0.4	V

Note The embedded modules provide an on board supervisor circuit with a 2.93V (nominal) reset threshold. When V_{CC} falls to the threshold voltage, a reset pulse is issued, holding the output in active state. When power rises above 2.88V, the reset remains for approximately 250 ms to allow the system clock and other circuits to stabilize.

	Digi Connect ME	Digi Connect Wi-ME
Storage Temperature	-40° F to 257° F (-40° C to 125° C)	
Relative Humidity	5% to 90%, not to exceed 95% non-condensing (4° C to 45° C), constant absolute humidity above 45° C	
Altitude	12,000 feet (3657.60 meters)	

Grounding recommendation

It is recommended that you connect the tabs on the chassis of the Digi Connect ME / Wi-ME, and the ground pins directly to the logic ground plane. It is also recommended that you connect the Digi Connect ME / Wi-ME to the metal chassis of your enclosure. The idea is to provide the shortest path or a path away from circuitry for ESD to travel to ground.

Power management (Digi Connect ME 9210 only)

Using the Digi NET+OS development environment, applications on the Digi Connect ME 9210 are capable of operating the module in several reduced power consumption modes. These reduced power operating modes utilize the power management mechanisms for the NS9210 processor for CPU clock scaling and sleep.

In the Clock Scaling mode, the system itself continues to execute instructions, but at a different clock rate, which can be changed on-the-fly, using Digi's patented circuitry inside the NS9210 processor. The clock speed is changed programmatically to lower or raise the system clock speed, thus reducing or increasing the module's power footprint, respectively.

Additionally, a Sleep mode is available in which the system stops executing instructions. Based on the application needs, wake-up triggers can be set up programmatically to activate the processor back to wherever it left off. In this mode, a drastic power reduction is realized by reducing the power consumption of the NS9210 processor and the on-module PHY.

For sample power consumption figures for normal (typical) and power management related operation of the Digi Connect ME 9210, see below:

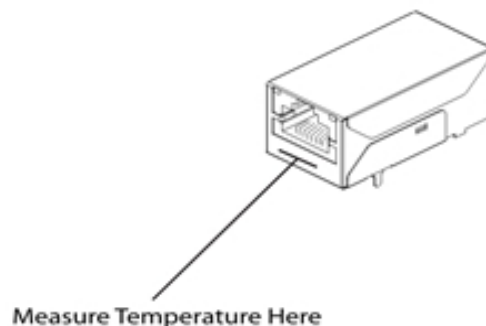
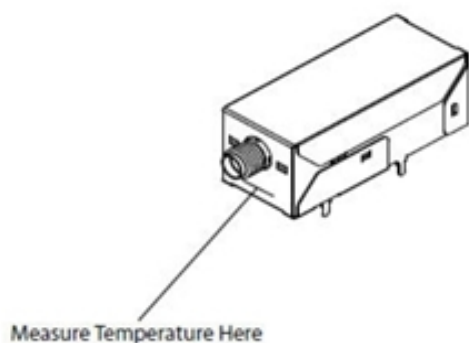
- 3.3VDC @ 346 mA typical (1.14W)
- UART and Ethernet activated

Low speed idle mode (approximate)

- 3.3VDC @ 186 mA (613 mW)
- /16 clock scaling, Ethernet activated

Sleep mode (approximate)

- 3.3VDC @ 34 mA (113 mW)
- Wake-up on EIRQ, Ethernet PHY off



Thermal specifications

The table below shows the standard operating temperature ranges for the entire Digi Connect ME family of embedded modules.

Standard operating temperature ranges	
Product	Operating temperature range
Digi Connect ME	-40 °C to +85°C
Digi Connect ME 9210	p-40°C to +80°C
Digi Connect Wi-ME p	p-30°C to +75°C

The lower standard operating temperature ranges are specified without restrictions, except condensation must not occur.

The upper operating temperature limit depends on the host PCB layout and surrounding environmental conditions. To simplify the customer's design process, a maximum case temperature has been specified.

Maximum case temperature	
Product	Maximum case temperature
Digi Connect ME	96°C
Digi Connect ME 9210	93°C
Digi Connect Wi-ME	85°C

The maximum case temperature must remain below the maximum, measured at the location shown in the figure on the previous page.

Additional design recommendations

The following list provides additional design guidance with respect to thermal management in applications with operating temperatures at the high end or beyond the specified standard ambient temperature range.

- Providing air movement will improve heat dissipation.
- The host PCB plays a large part in dissipating the heat generated by the module. A large copper plane located under the Digi Connect ME 9210 is soldered to the module's mounting tabs will improve the heat dissipation capabilities of the PCB.
- If the design allows, added buried PCB planes will also improve heat dissipation. The copper planes create a larger surface to spread the heat into the surrounding environment.
- Adding a thermal pad or thermal compound, such as Sil-Pad[®], Gap Pad[®] or Gap Filler products made by the Bergquist Company (www.bergquistcompany.com), between the host PCB and the underside of the module will significantly increase the thermal transfer between the module's enclosure and the host PCB. Limit the fill area to the folded metal portion of the module's underside.

Mechanical specifications

Dimensions	Digi Connect ME	Digi Connect Wi-ME	
Length	1.445 in. (36.703 mm)	1.85 in (46.99 mm)	
Width	0.75 in. (19.05 mm)		
Height	0.854 in. (21.69 mm)		
Weight	.616oz. 17.463g	.696 oz. 19.731 g.	Antenna:408 oz. 11.567 g
		Total: 1.104 oz. 31.298 g	
Device/serial interface connector	20-pin micro header (10-pin double row) with .05-inch (1.27-mm) pitch (Samtec P/N FTS-110-01-F-DV-TR or similar). Positions 3 through 6 are removed.		

Bar code

The 50m PN is code 3 of 9 (39) and the MAC is code 128. All scanners are set up so if they read code 3 of 9 they will automatically read 128. The reason for the two different code types is to maximize the size of the bars within a given space to improved readability.

Dimensions

The following figures show the dimensions of the Digi Connect Wi-ME and Digi Connect ME embedded modules.

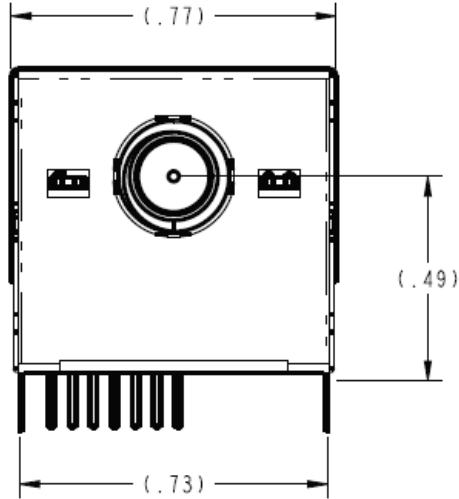
Tolerances Used in Dimensions

Figures in this appendix show the dimensions of Digi Connect Wi-ME and Digi Connect ME embedded modules. In these figures, the following tolerances are used for any measurements:

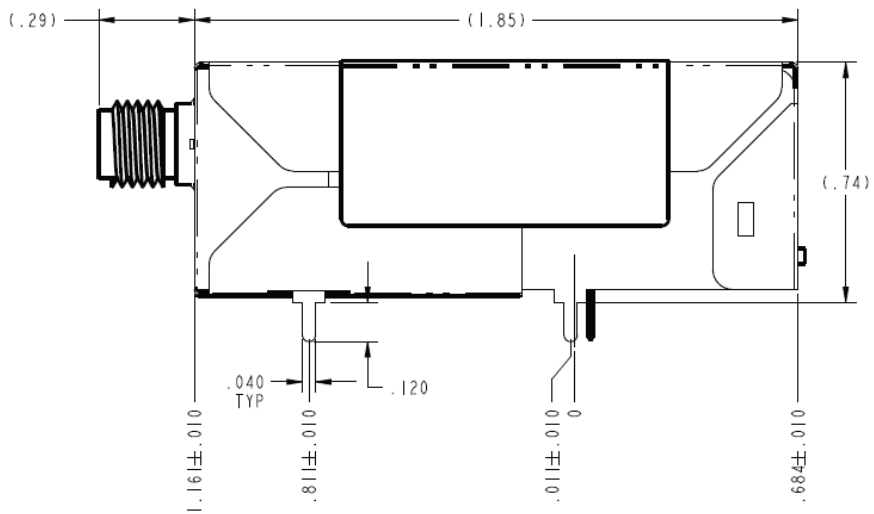
Measure	Tolerance
.XX	$\pm .02$
.XXX	$\pm .010$
Angles	$\pm 3^\circ$

Digi Connect Wi-ME module

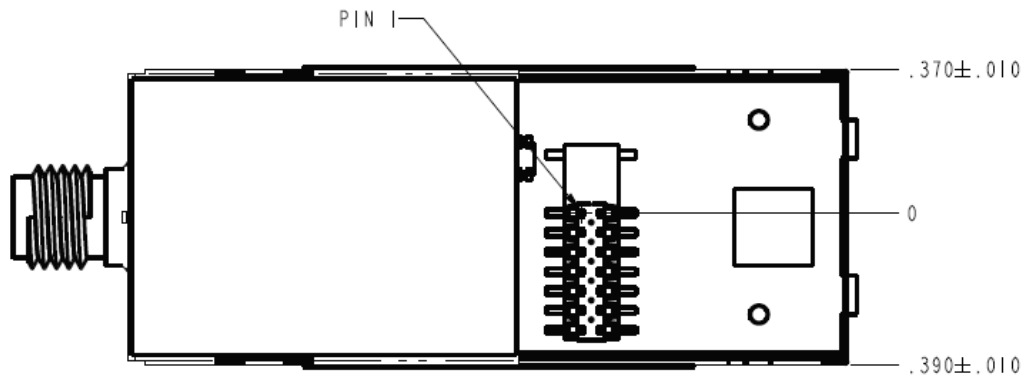
Front view



Side view

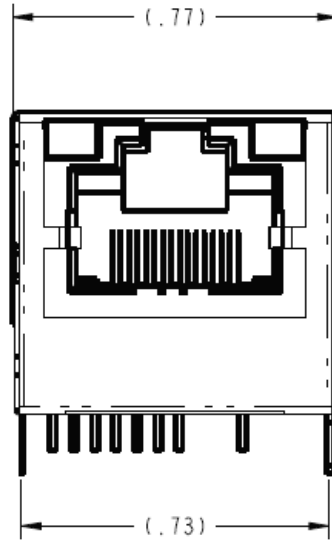


Bottom view

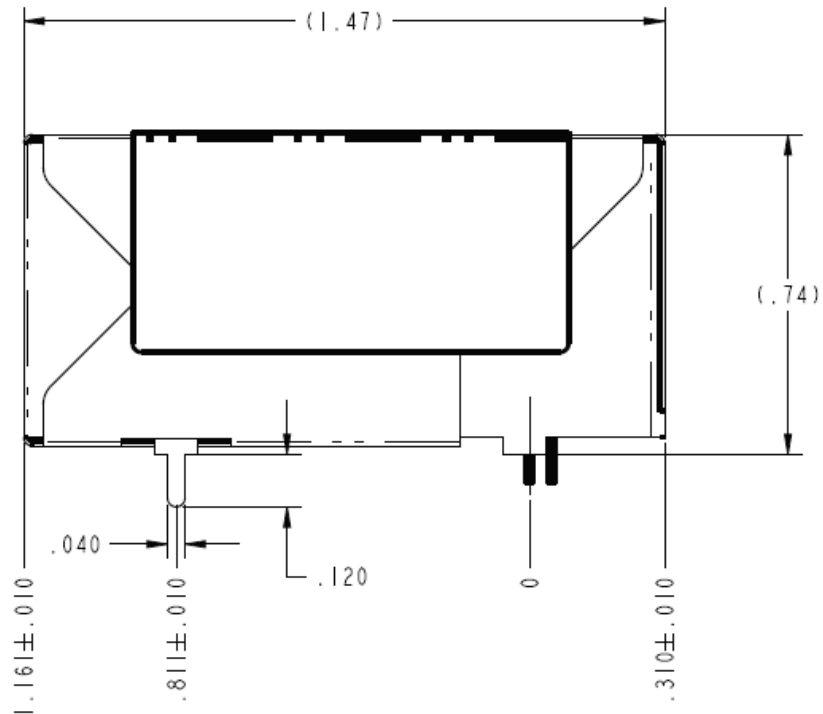


Digi Connect ME module

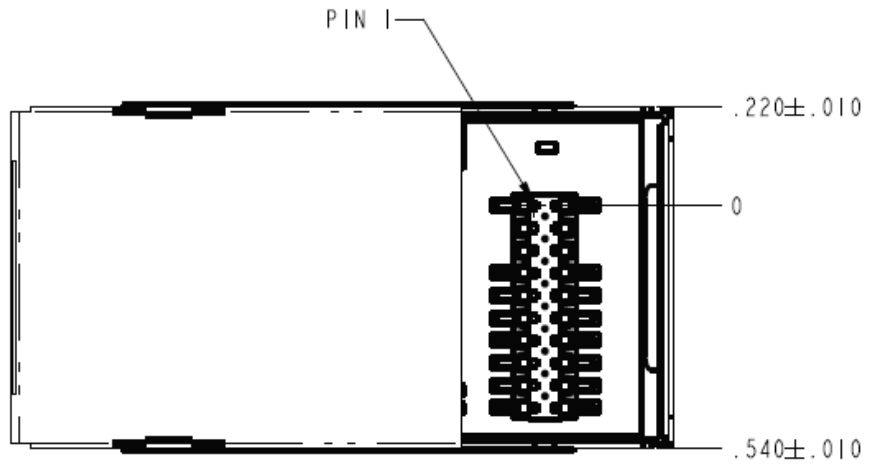
Front view



Side view

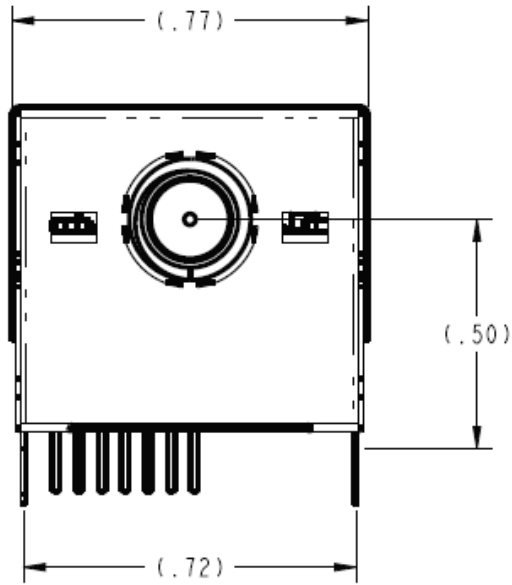


Bottom view

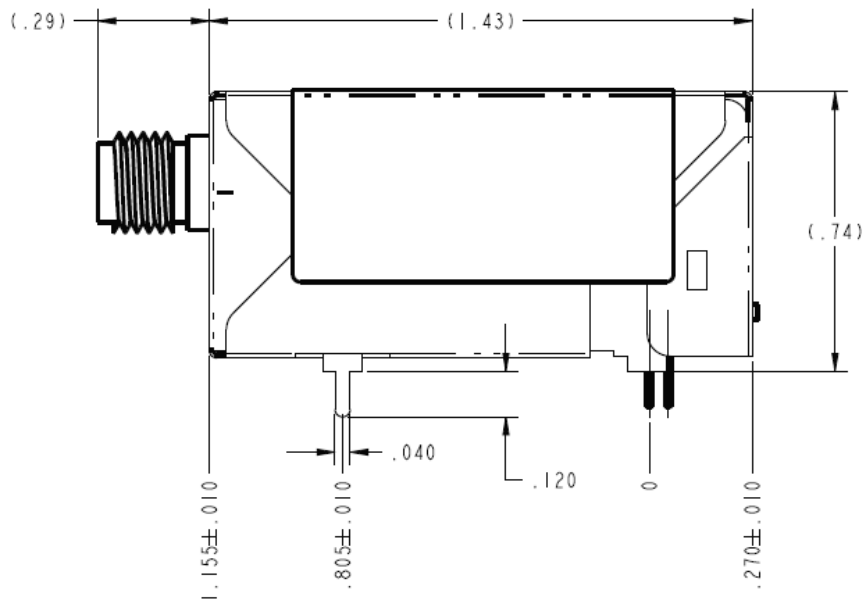


Digi Connect Wi-ME 9210 module

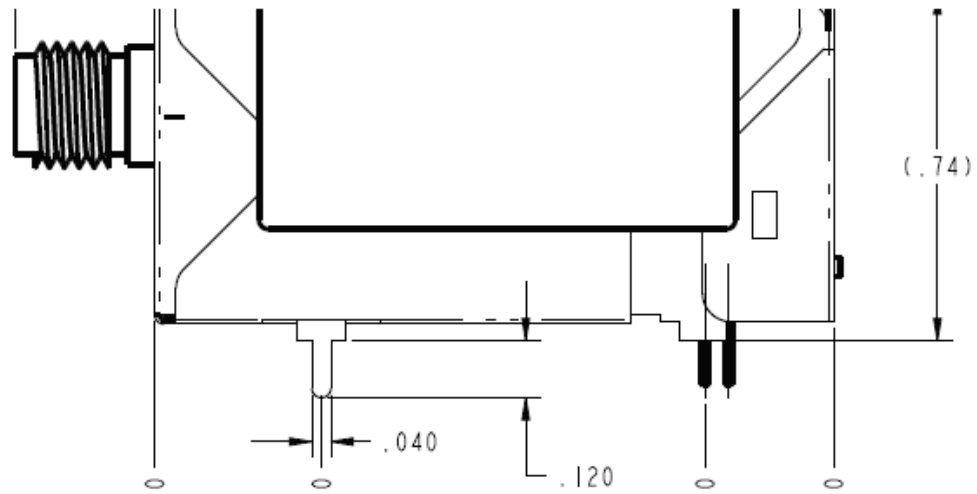
Front view



Side view

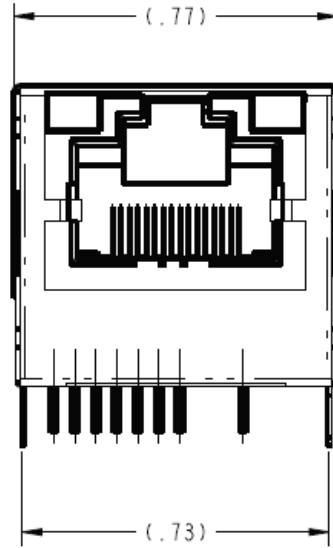


Bottom view

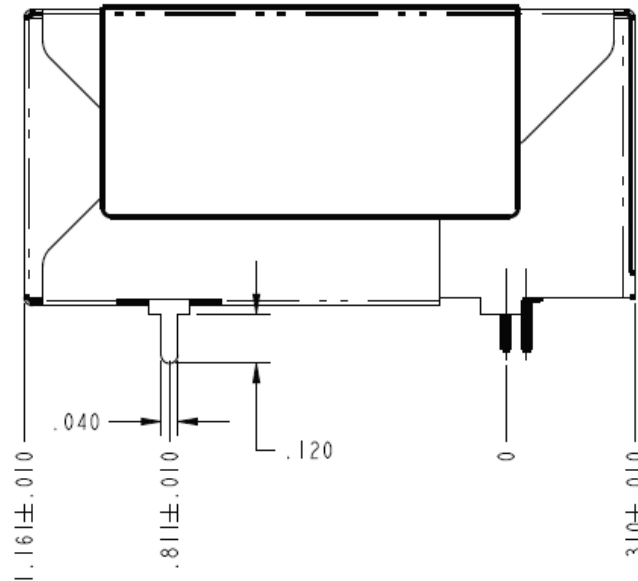


Digi Connect ME 9210 Module - without JTAG interface

Front view

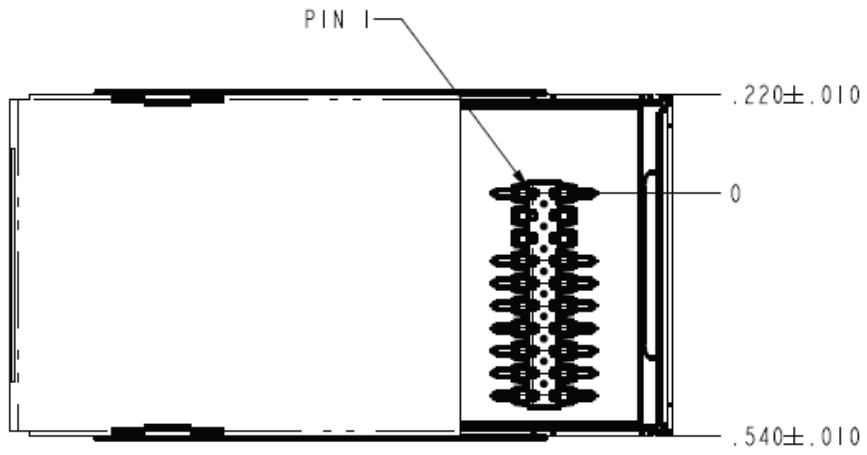


Side view



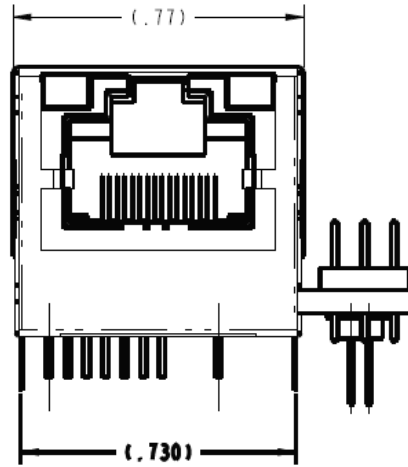
Bottom view

Bottom View

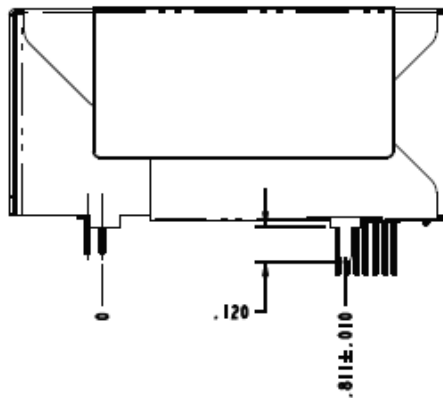


Digi Connect ME 9210 module - with JTAG interface

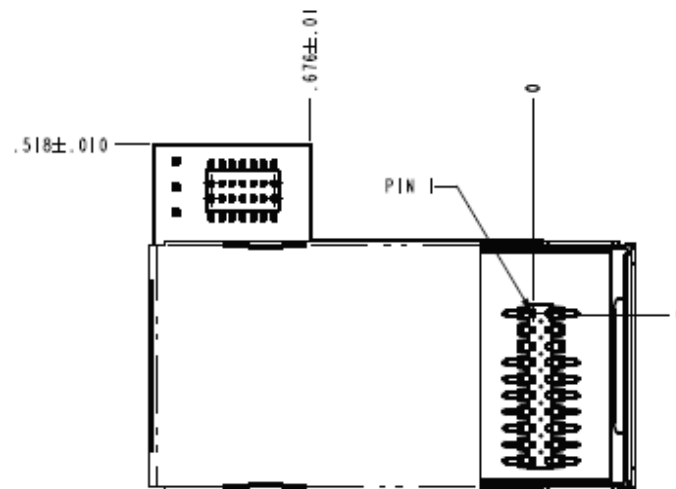
Front view



Side view



Bottom view



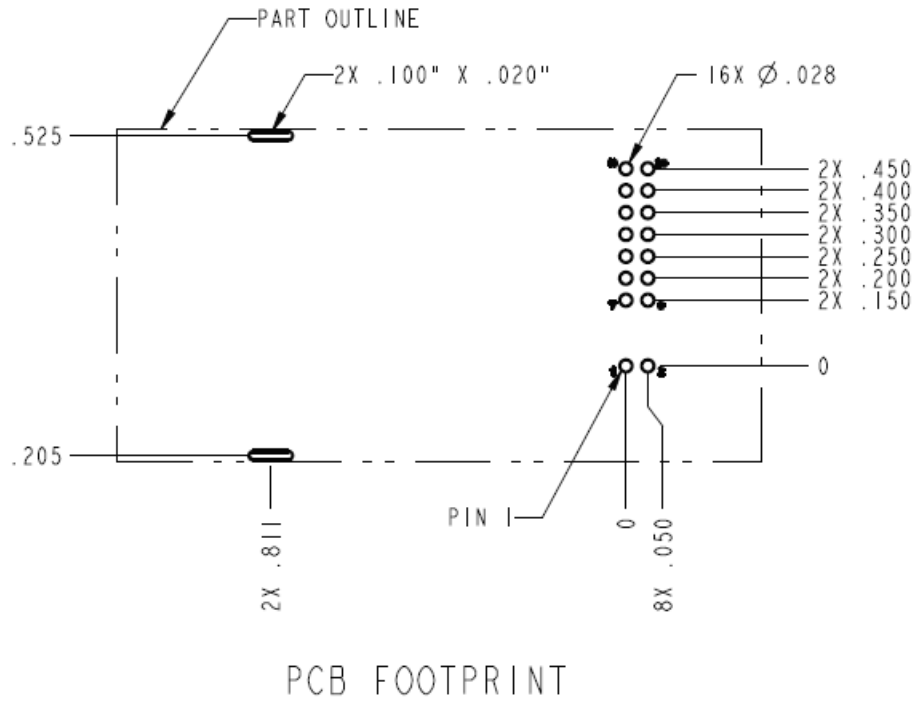
Recommended PCB layout

The following figures show the recommended PCB (printed circuit board) layout of the Digi Connect ME.

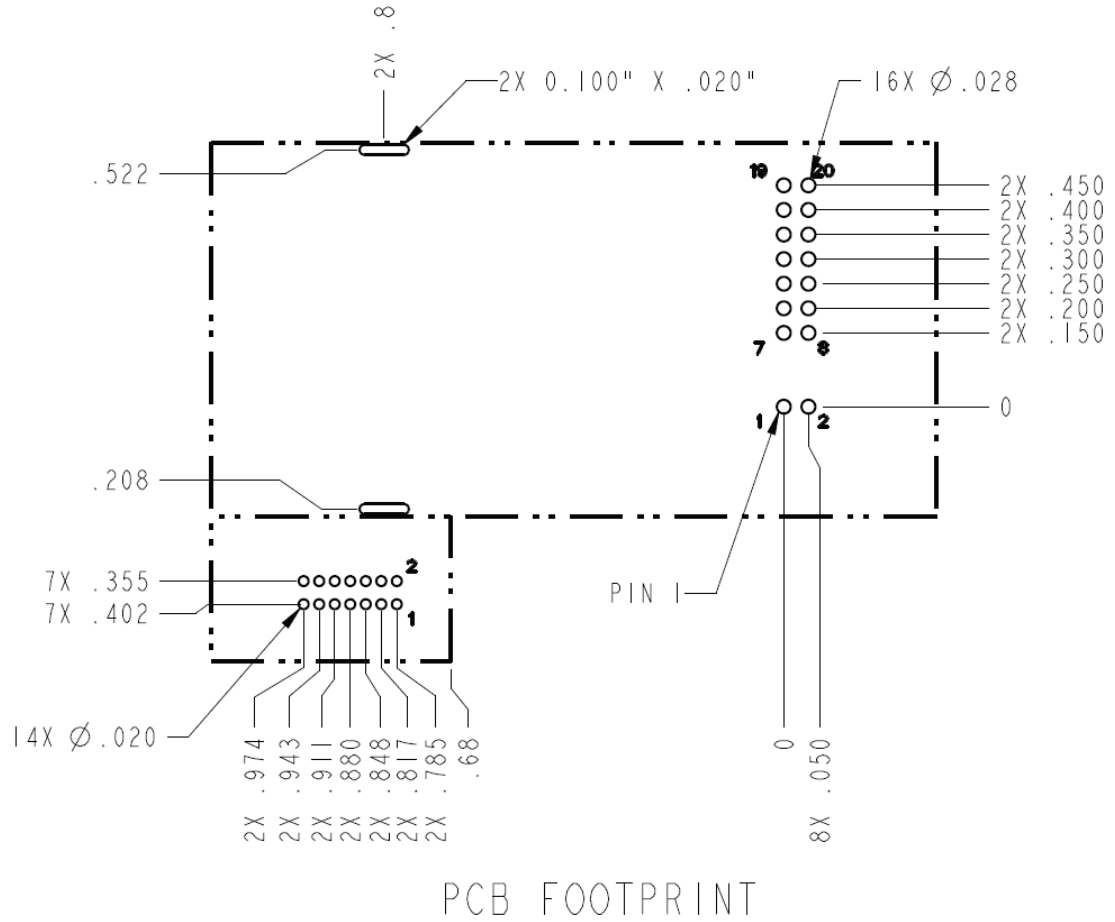
Important: The Digi Connect ME has several different product variants with different feature sets. **It is strongly recommended that you check the Digi Connect ME product pages on the Digi website for more information on the product variants.** Following are several Digi Connect ME product pages; additional product pages and drawings may be provided.

- [Digi Connect ME product page](#)
- [Digi Connect Wi-ME product page](#)
- [Digi Connect ME 9210 product page](#)
- [Digi Connect Wi-ME 9210 product page](#)

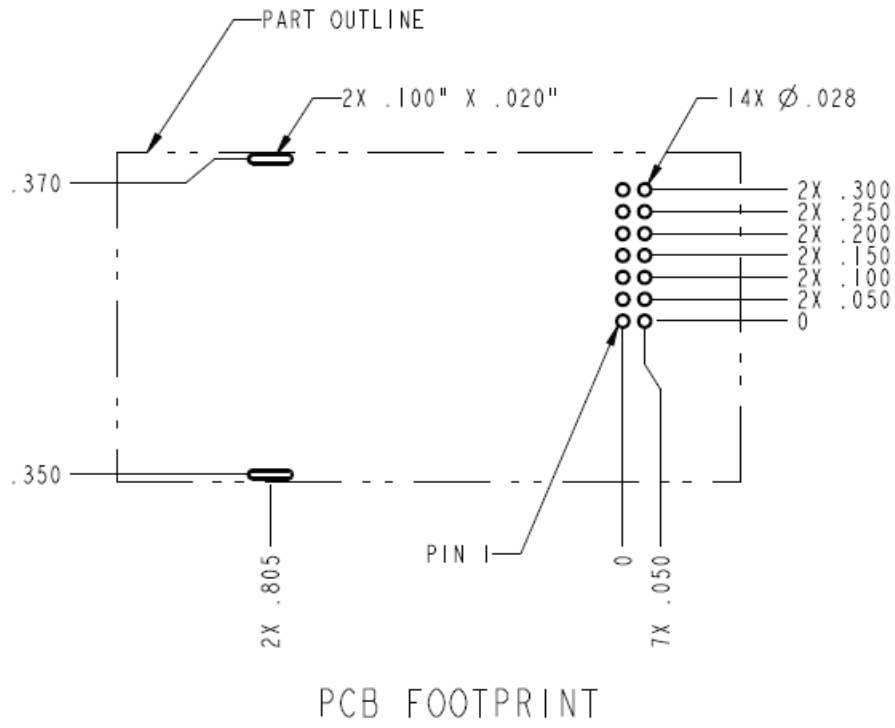
Digi Connect ME PCB top dimensions



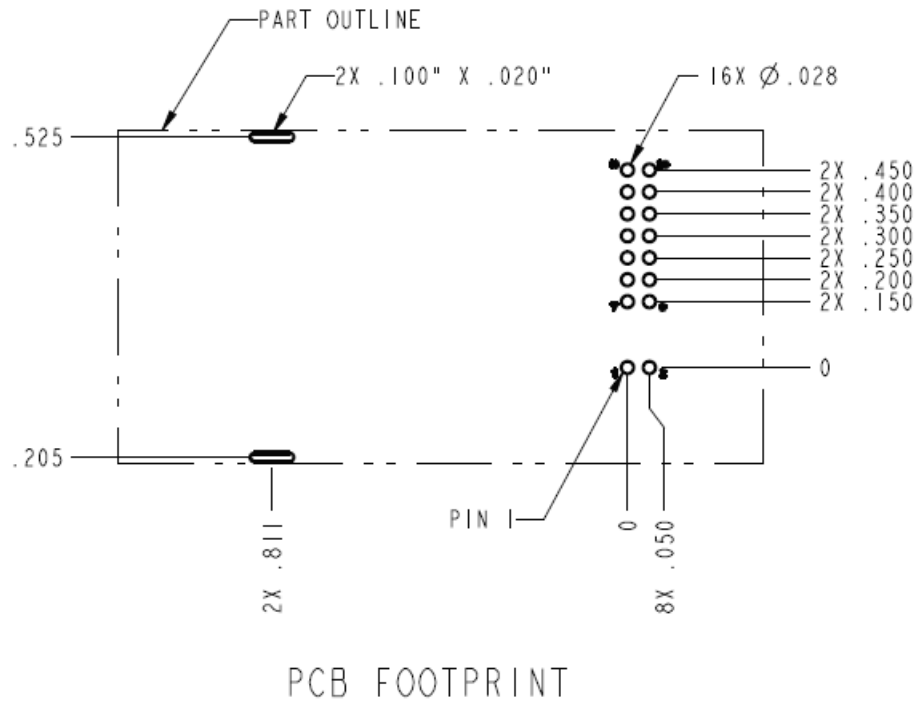
Digi Connect ME: PCB top dimensions with JTAG interface



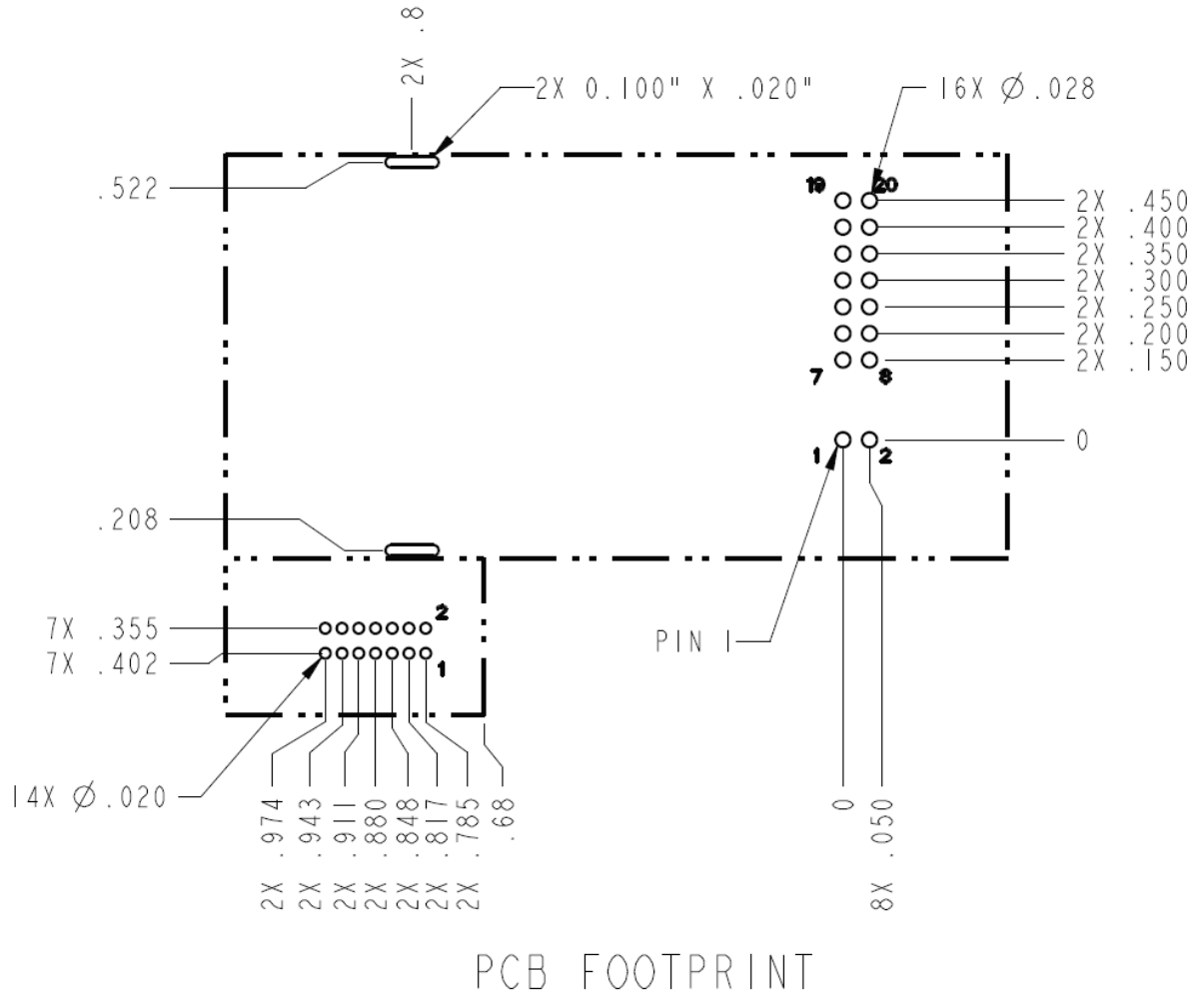
Digi Connect Wi-ME 9210



Digi Connect ME 9210 - PCB top dimensions without JTAG interface



Digi Connect ME 9210 - PCB top dimensions with JTAG interface

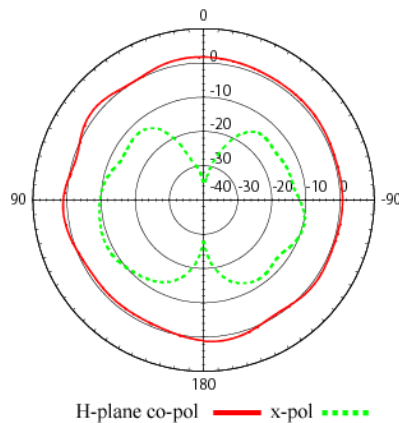


Antenna information

Antenna strength

The following diagram demonstrates the strength of the signal received by the whip antenna on both a horizontal and vertical plane. The diagram shows the magnetic field when the antenna is in a vertical position. The outside line represents the horizontal plane and the inside dotted line represents the vertical plane.

Radiation patterns

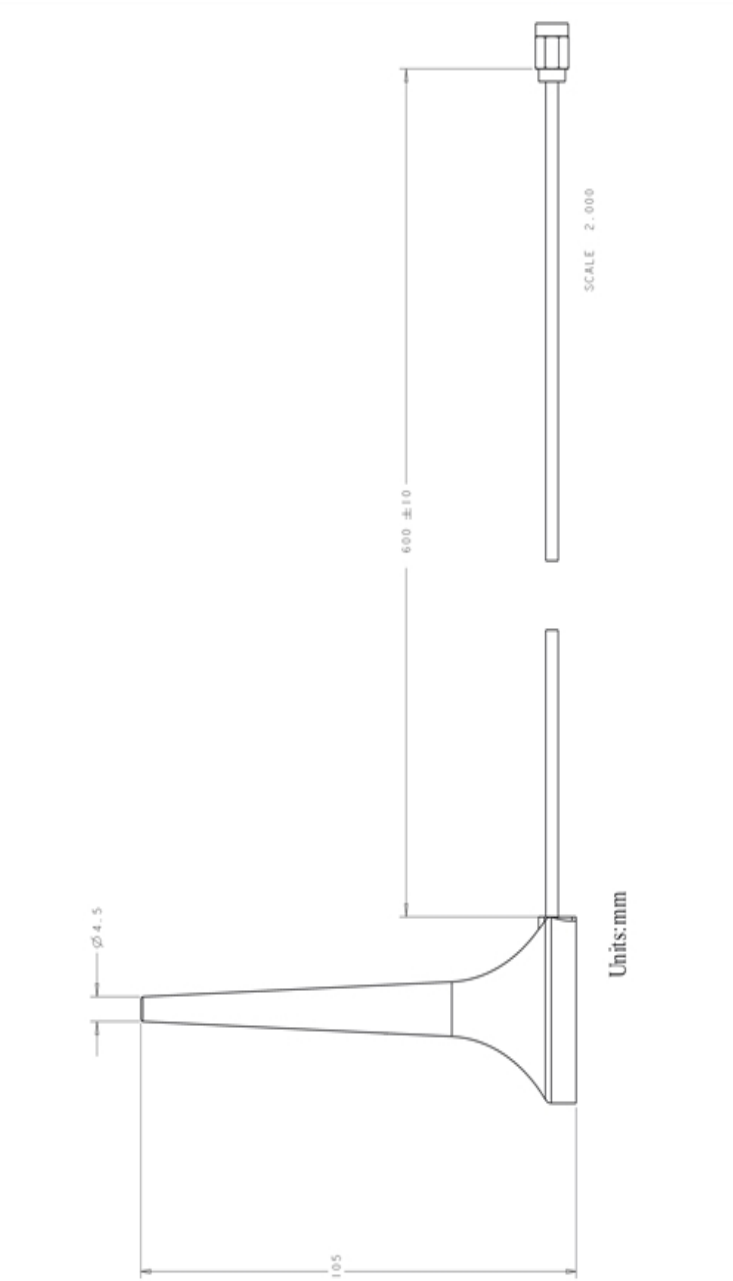


Antenna specifications

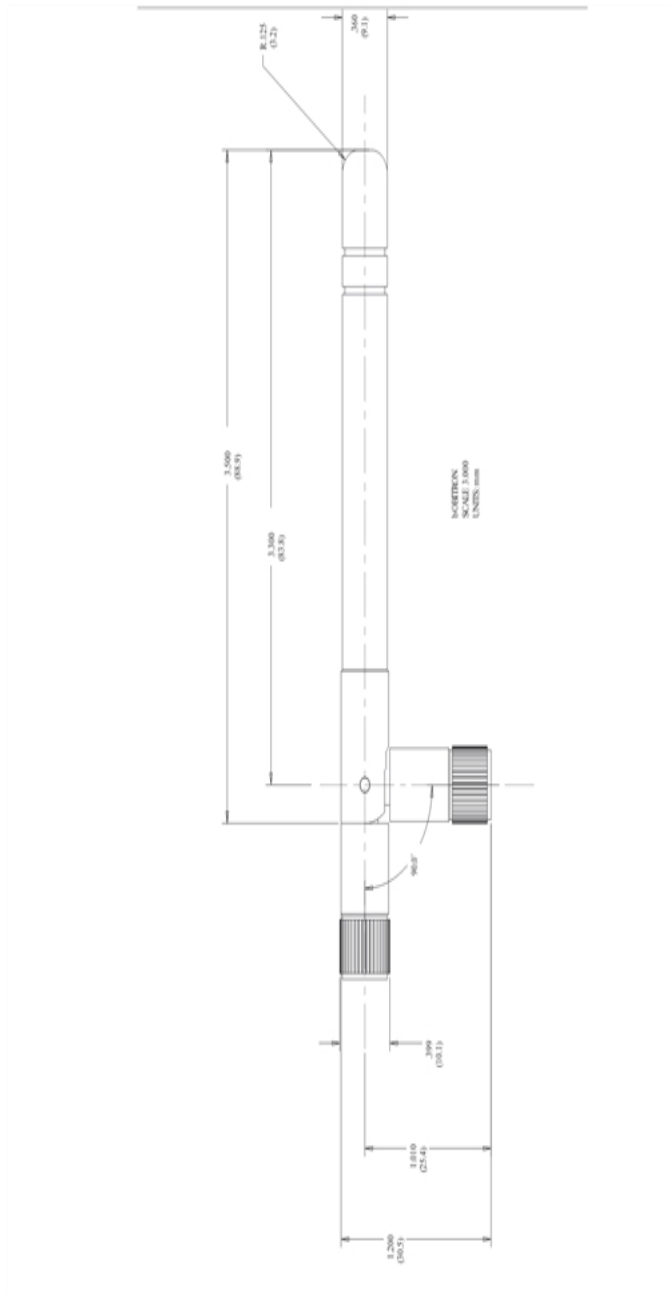
Antenna Description	Dipole	Desktop
Frequency	2.4~2.5 GHz	2.4~2.5 GHz
Power Output	2 W	1 W
DB Gain	2 dBi	1.8 dBi
VSWR	< or = 2.0	1.92 max.
Nominal Impedance	50 ohm	50 ohm
Dimension	108.5 x 10.0 mm	105 x 4.5 mm
Weight	10.5g	11 g
Connector	RP-SMA	
Part Number	DG-ANT-20DP-BG	DC-ANT-24DT

Any antenna matching the in-band and out-of-band signal patterns and strengths of the antenna, whose characteristics are given in the Antenna Description table and the Radiation Pattern graphic may be used with the Digi Connect Wi-ME.

Desktop antenna dimensions



Dipole antenna dimensions



RF exposure statement

The Digi Connect Wi-ME module complies with the RF exposure limits for humans as called out in RSS-102. It is exempt from RF evaluation based on its operating frequency of 2.4 GHz, and effective radiated power less than the 3 watt requirement for a mobile device (>20 cm separation) operating at 2.4 GHz.

Safety statements

To avoid contact with electrical current:

- Never install electrical wiring during an electrical storm.
- Never install an ethernet connection in wet locations unless that connector is specifically designed for wet locations.
- Use caution when installing or modifying ethernet lines.
- Use a screwdriver and other tools with insulated handles.
- You and those around you should wear safety glasses or goggles.
- Do not place ethernet wiring or connections in any conduit, outlet or junction box containing electrical wiring.
- Installation of inside wire may bring you close to electrical wire, conduit, terminals and other electrical facilities. Extreme caution must be used to avoid electrical shock from such facilities. You must avoid contact with all such facilities.
- Ethernet wiring must be at least 6 feet from bare power wiring or lightning rods and associated wires, and at least six inches from other wire (antenna wires, doorbell wires, wires from transformers to neon signs), steam or hot water pipes, and heating ducts.
- Do not place an ethernet connection where it would allow a person to use an ethernet device while in a bathtub, shower, swimming pool, or similar hazardous location.
- Protectors and grounding wire placed by the service provider must not be connected to, removed, or modified by the customer.
- Do not touch un-insulated ethernet wiring if lightning is likely!
- Do not touch or move any antennas while the unit is transmitting or receiving.
- Do not hold any component containing a radio such that the antenna is very close to or touching any exposed parts of the body, especially the face or eyes, while transmitting.
- Do not operate a portable transmitter near unshielded blasting caps or in an explosive environment unless it is a type especially qualified for such use
- Any *external* communications wiring you may install needs to be constructed to all relevant electrical codes. In the United States this is the National Electrical Code Article 800. Contact a licensed electrician for details.

Regulatory information

These products comply with the following standards.

FCC Part 15 Class B

Radio Frequency Interference (RFI) (FCC 15.105)

The Digi Connect ME and Digi Connect Wi-ME embedded modules have been tested and found to comply with the limits for Class B digital devices pursuant to Part 15 Subpart B, of the FCC Rules. These limits are designed to provide reasonable protection against harmful interference in a residential environment. This equipment generates, uses, and can radiate radio frequency energy, and if not installed and used in accordance with the instruction manual, may cause harmful interference to radio communications. However, there is no guarantee that interference will not occur in a particular installation. If this equipment does cause harmful interference to radio or television reception, which can be determined by turning the equipment off and on, the user is encouraged to try and correct the interference by one or more of the following measures:

- Reorient or relocate the receiving antenna.
- Increase the separation between the equipment and the receiver.
- Connect the equipment into an outlet on a circuit different from that to which the receiver is connected.
- Consult the dealer or an experienced radio/TV technician for help.

Labeling requirements (FCC 15.19)

This device complies with Part 15 of FCC rules. Operation is subject to the following two conditions:

1. This device may not cause harmful interference, and
2. This device must accept any interference received, including interference that may cause undesired operation.

If the FCC ID is not visible when installed inside another device, then the outside of the device into which the module is installed must also display a label referring to the enclosed module FCC ID. This exterior label can use wording such as the following: "Contains Transmitter Module FCC ID: MCQ-50M880/ IC: 1846A-50M880."

Modifications (FCC 15.21)

Changes or modifications to this equipment not expressly approved by Digi may void the user's authority to operate this equipment.

Industry Canada

This digital apparatus does not exceed the Class B limits for radio noise emissions from digital apparatus set out in the Radio Interference Regulations of the Canadian Department of Communications.

Le présent appareil numérique n'émet pas de bruits radioélectriques dépassant les limites applicables aux appareils numériques de la class B prescrites dans le Règlement sur le brouillage radioélectrique édicté par le ministère des Communications du Canada.

Europe

The Digi Connect ME, Wi-ME, ME 9210, Wi-ME 9210 is certified for use in several European countries. For information, visit www.digi.com/resources/certifications.

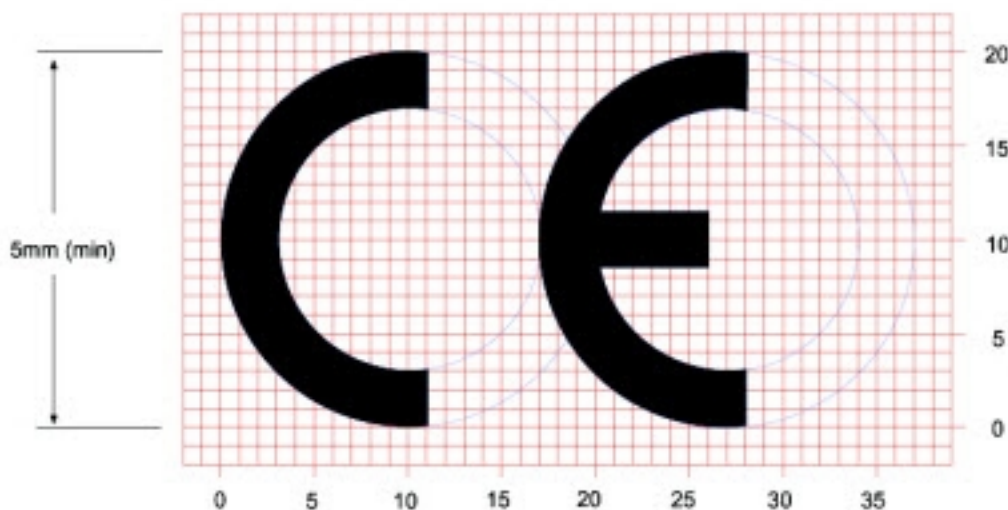
If the Digi Connect ME, Wi-ME, ME 9210, Wi-ME 9210 is incorporated into a product, the manufacturer must ensure compliance of the final product with articles 3.1a and 3.1b of the RE Directive (Radio Equipment Directive). A Declaration of Conformity must be issued for each of these standards and kept on file as described in the RE Directive (Radio Equipment Directive).

Furthermore, the manufacturer must maintain a copy of the Digi Connect ME, Wi-ME, ME 9210, Wi-ME 9210 user manual documentation and ensure the final product does not exceed the specified power ratings, antenna specifications, and/or installation requirements as specified in the user manual. If any of these specifications are exceeded in the final product, a submission must be made to a notified body for compliance testing to all required standards.

OEM labeling requirements

The 'CE' marking must be affixed to a visible location on the OEM product.

CE labeling requirements



The CE mark shall consist of the initials “CE” taking the following form:

- If the CE marking is reduced or enlarged, the proportions given in the above graduated drawing must be respected.

- The CE marking must have a height of at least 5mm except where this is not possible on account of the nature of the apparatus.
- The CE marking must be affixed visibly, legibly, and indelibly.

UKCA labeling requirements

The Connect ME conforms to the requirements of UK Conformity Assessed (UKCA). A declaration of conformity is at: [digi.com/resources/certifications](https://www.digi.com/resources/certifications).



Declaration of Conformity (DoC)

Digi has issued Declarations of Conformity for the Rapidport USB to 4-Port Modem Module concerning emissions, EMC, and safety. For more information, see www.digi.com/resources/certifications.

Important note

Digi customers assume full responsibility for learning and meeting the required guidelines for each country in their distribution market. Refer to the radio regulatory agency in the desired countries of operation for more information.

Maximum power and frequency specifications

Note The following maximum power and frequency specifications are for the Connect Wi-ME and Connect Wi-ME 9210 only.

Connect Wi-ME

Maximum power	Frequencies
100 mW	13 overlapping channels each 22 MHz wide and spaced at 5 MHz. Total frequency range is 2.3995 GHz to 2.4845 GHz.

Connect Wi-ME 9210

Maximum power	Frequencies
88 mW	13 overlapping channels each 22 MHz wide and spaced at 5 MHz. Total frequency range is 2.3995 GHz to 2.4845 GHz.
28 mW	165 overlapping channels each 22 or 40 MHz wide and spaced at 5 MHz. Centered at 5180 to 5825 MHz.

International EMC Standards

	Digi Connect ME	Digi Connect Wi-ME
Storage temperature	-40°F to 257°F (-40°C to 125°C)	
Humidity	5% to 90%	
Altitude	12000 feet (3657.60 meters)	

The Digi Connect ME and Digi Connect Wi-ME embedded modules meet the following standards:

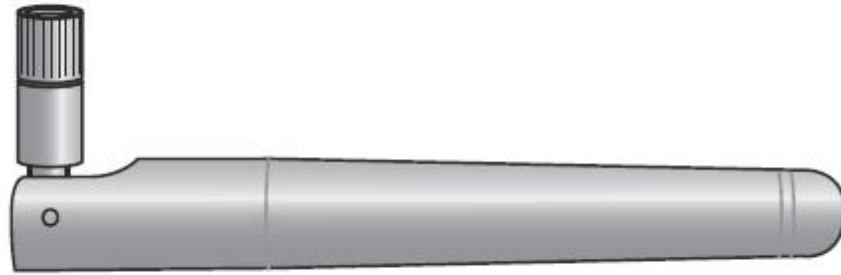
Standards	Digi Connect ME	
Emissions	AS/NZS 3548	AS/NZS 3548 CISPR 22
		Japan IOH 003NY04115 0000 003GZ04064 0000
		FCC Part 15 Subpart C (FCC ID: MCQ-50M880)
		IC RSS 210 (IC:1846A-50M880)
	FCC Part 15 Subpart B ICES-003 EN 55022 EN 61000-4-2 EN 61000-4-3 EN 61000-4-6 EN 301 489-3 EN 300 328 VCCI	FCC Part 15 Subpart B ICES-003 EN 55022 EN 61000-4-2 EN 61000-4-3 EN 61000-4-6 EN 301 489-3 EN 300 328 VCCI
Immunity	EN 55024	EN 55024
Safety	UL 60950-1 CSA 22.2 No. 60950--1 EN 60950	UL 60950-1 CSA 22.2 No. 60950--1 EN 60950

Antenna configurations

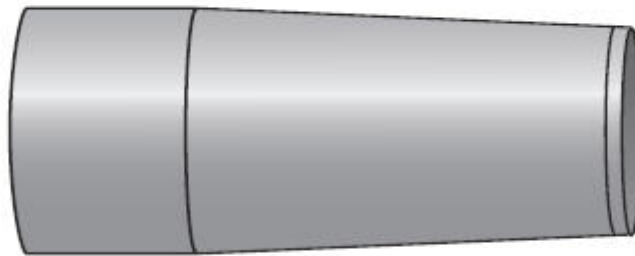
This device has been designed to operate with the antennas listed below, and having a maximum gain of [10] dBi. Antennas not included in this list or having a gain greater than [10] dBi are strictly prohibited for use with this device. The required antenna impedance is [50] ohms

The following antenna configurations that were tested with the Connect Wi-ME 802.11 b module.

Digi 29000095, Bobbintron SA-006-1, +2 dBi dipole antenna (NP-SMA)



PCTEL, MLPV2400NGP, 2.4 GHz, 3dBi gain, no ground plane, low profile antenna



MAXRAD, MFB24010, 2.4 GHz, 10 dBi Fiberglass OMNI antenna

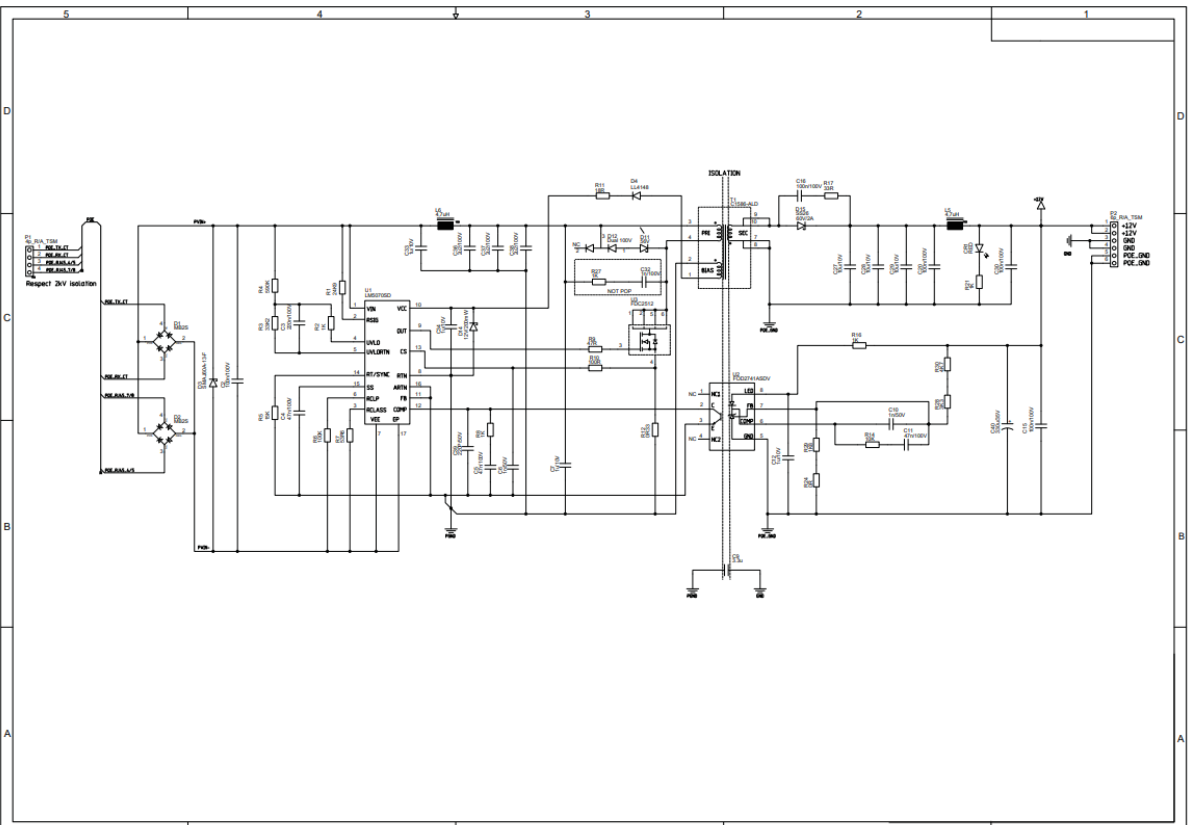


To reduce potential radio interference to other users, the antenna type and its gain should be so chosen that the equivalent isotropically radiated power (e.i.r.p.) is not more than that permitted for successful communication.

Sample application: PoE Power Supply

The following schematics are examples of PoE Power Supplies.

2/8 Digi Connect ME



Sample application TTL signals to EIA-232

The following schematic is an example of how to convert the module's TTL signals to EIA-232

