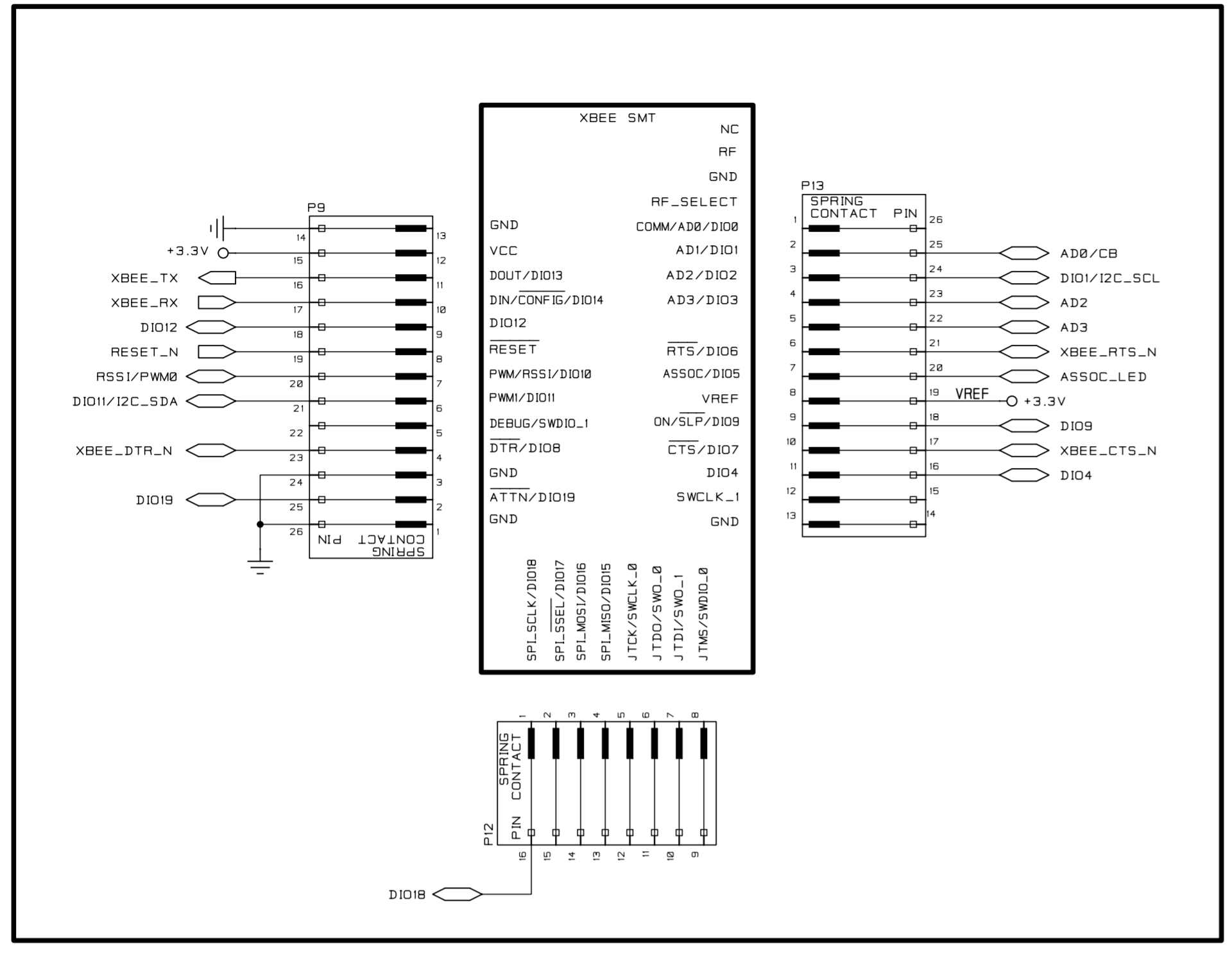
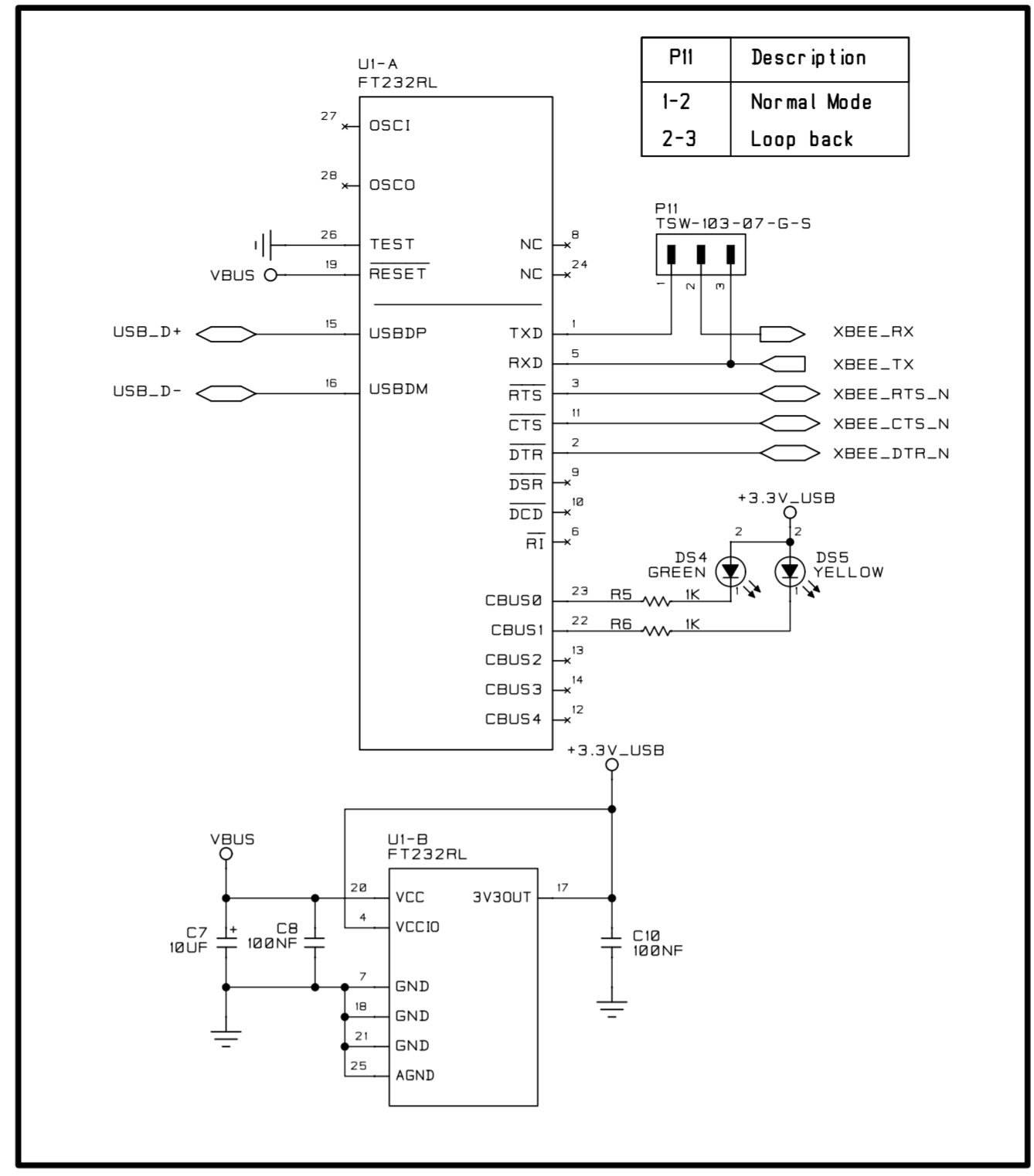


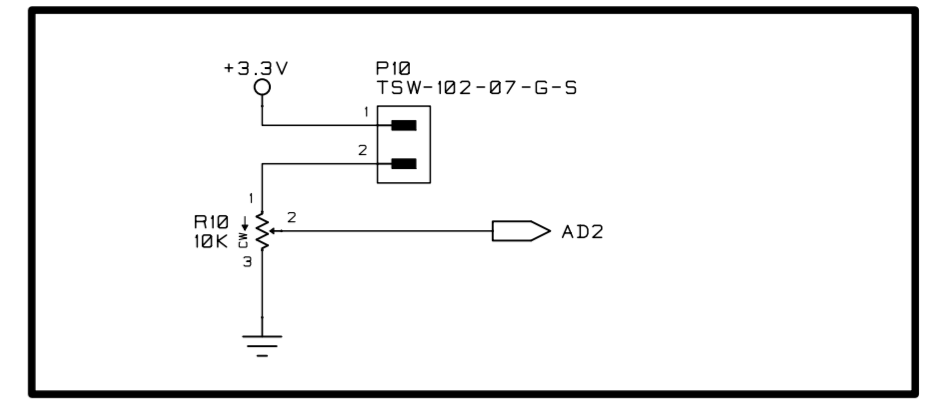
**XBEE SMD PIN HEADERS**



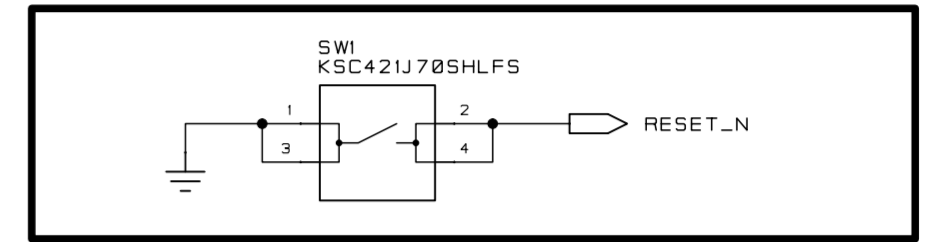
**USB/RS232 CONVERTER**



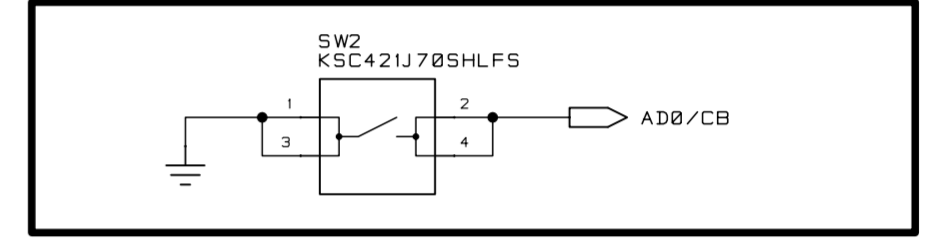
**POTENTIOMETER**



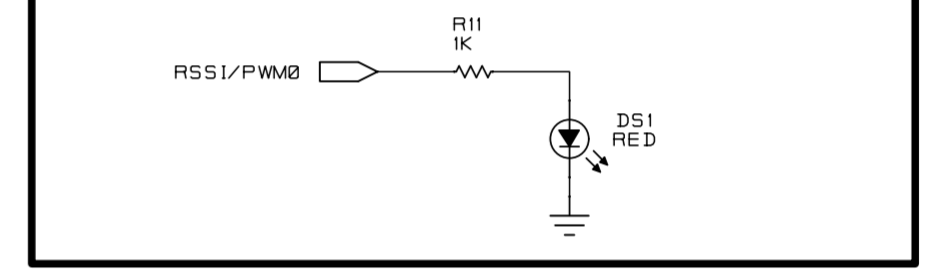
**RESET BUTTON**



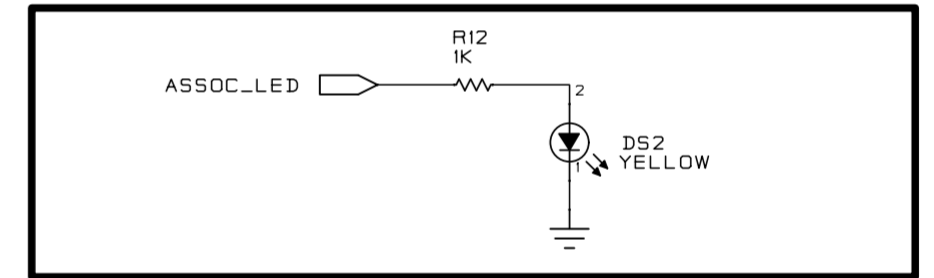
**COMMISSIONING BUTTON**



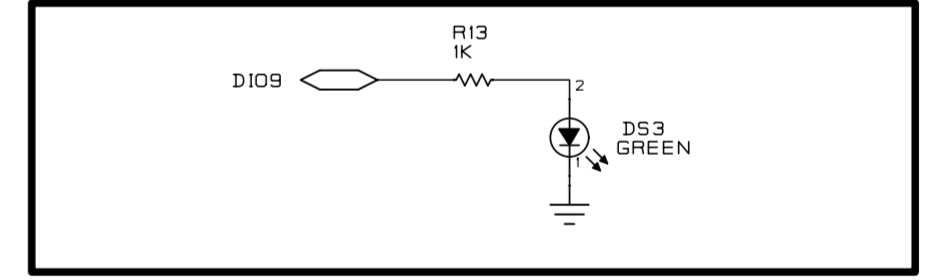
**RS1 LED**



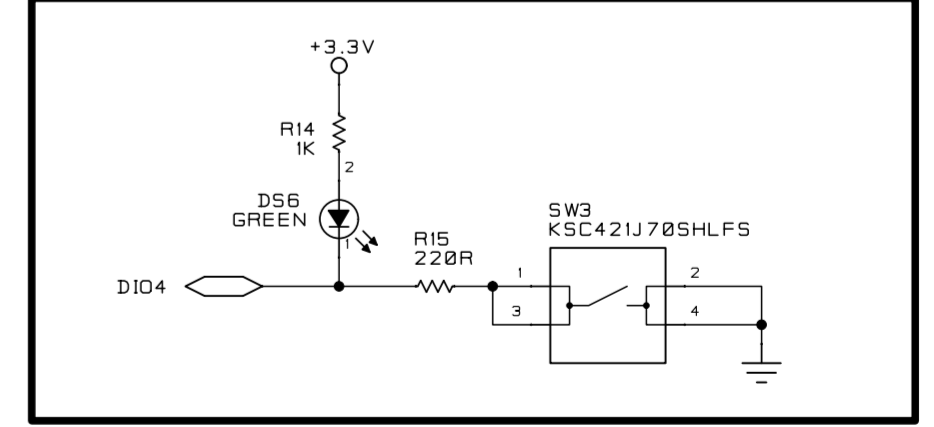
**ASSOCIATION LED**



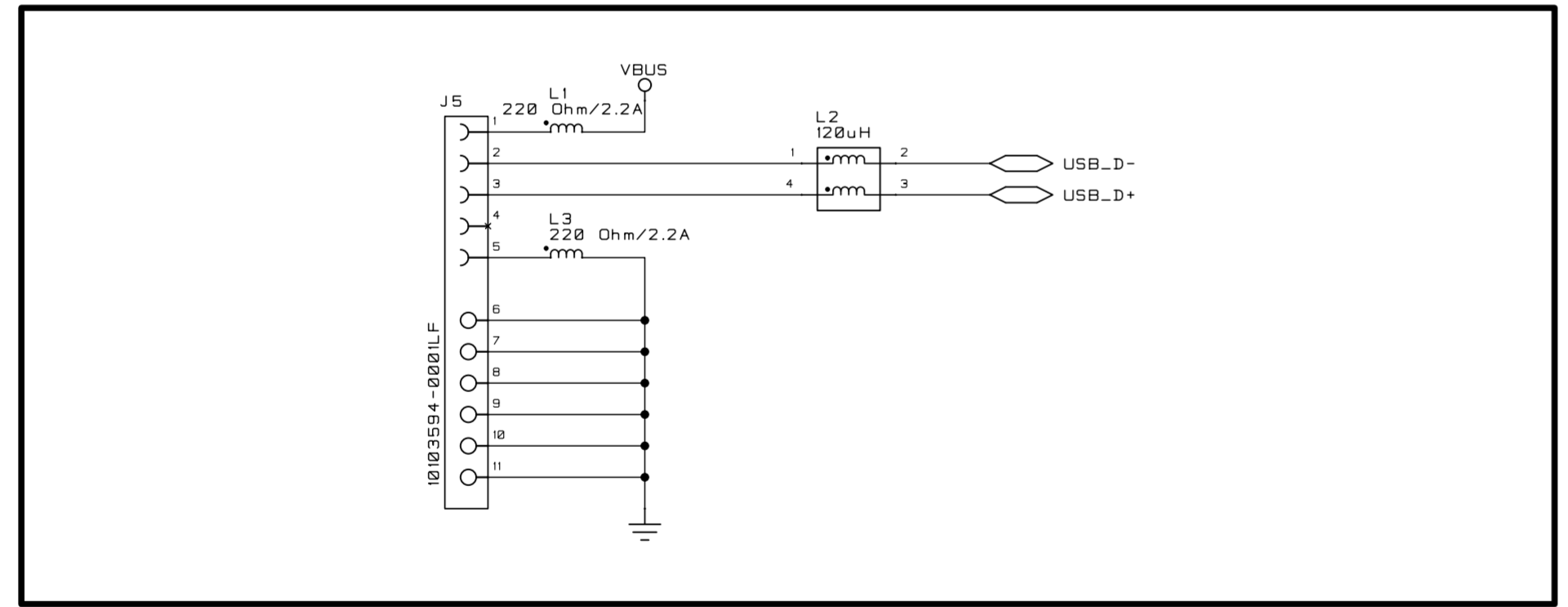
**ON/SLEEP**



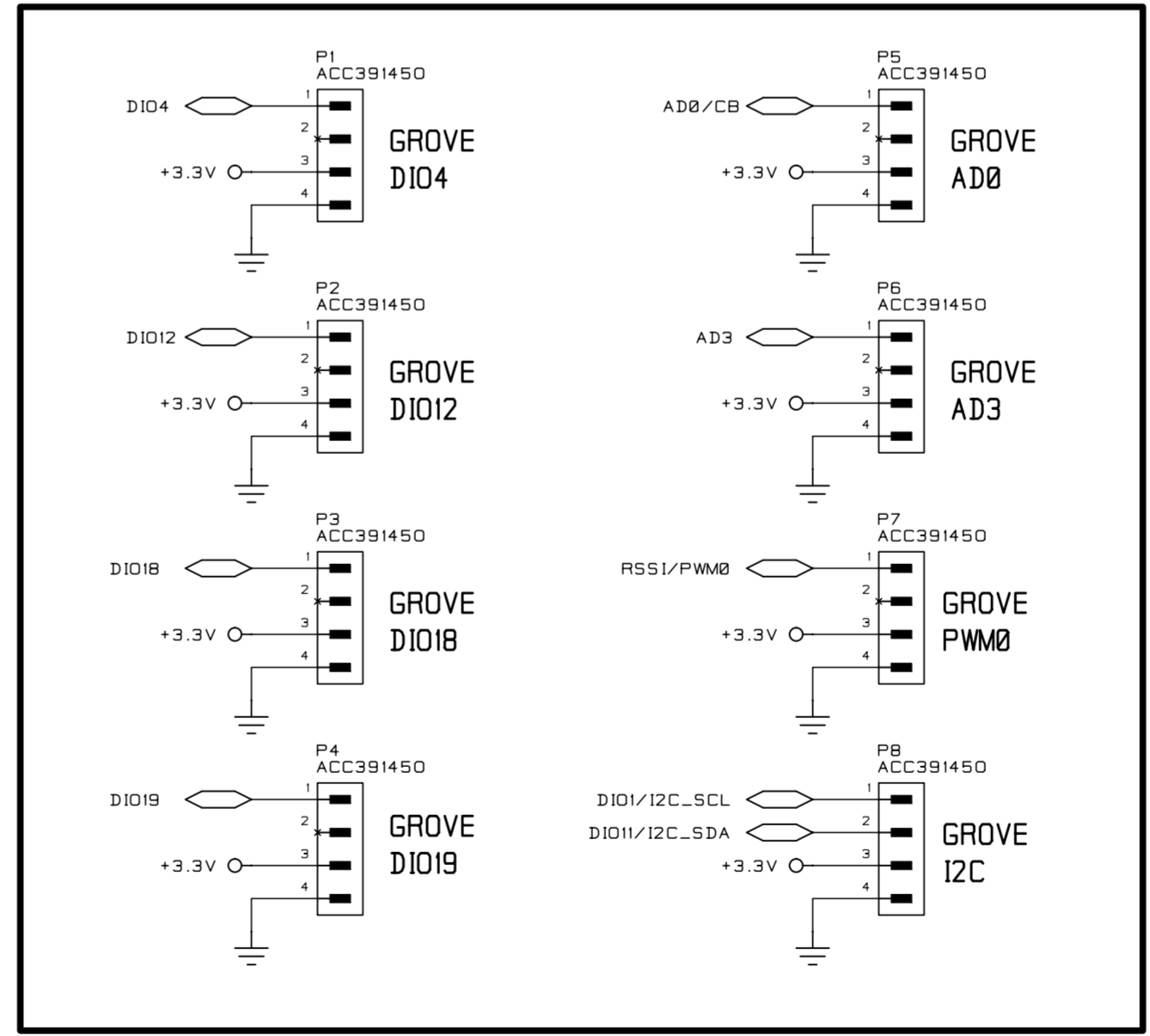
**USER LED/BUTTON**



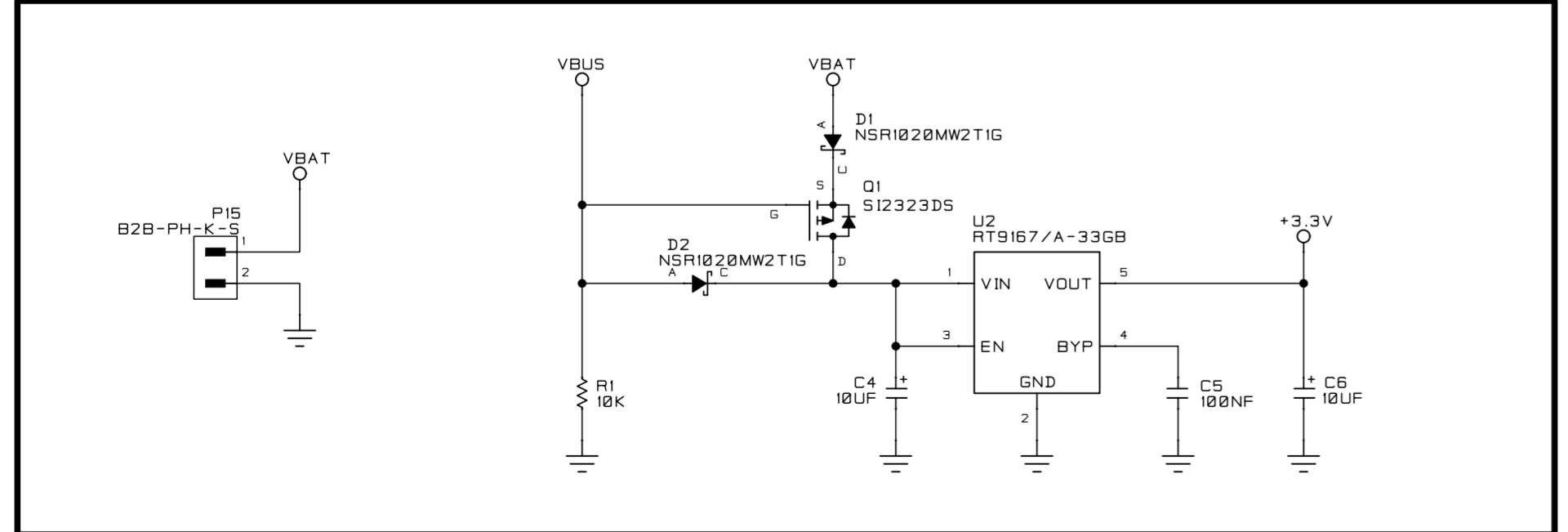
**USB CONNECTOR**



**GROVE CONNECTORS**



**BATTERY INPUT AND POWER SELECTION**



CONTRACT NO.		COMPANY NAME			
		Digi International Inc.			
APPROVALS	DATE	DWG			
DRAWN	DA	XBee SMD Grove Development Board			
CHECKED	DA	SIZE	FSCM NO.	DWG NO.	REV.
ISSUED	11-07-2015	A3			A
SCALE 15:10			SHEET 1 of 1		